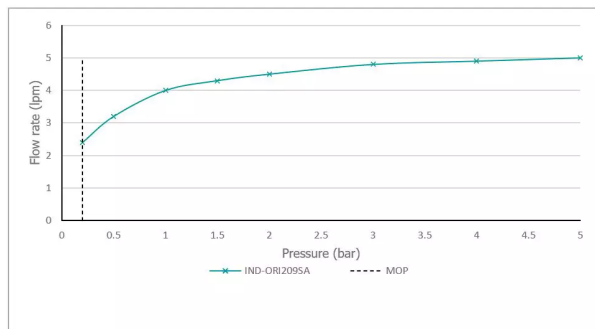


SPECIFICATION SHEET

COLLECTION: ORIGINS
PRODUCT CODE: IND-ORI209SA-BRN



The flow rate displayed is calculated using ideal system conditions. This result should only be taken as an indication as the flow rate may vary depending on the specific in-situ configuration.

TAP TYPE

Basin Mixer

FINISH

Brushed Nickel

COLLECTION NAME

Origins

GUARANTEE

15 Year Guarantee

PLUMBING SYSTEM SUITABILITY

Gravity System, Pumped System, Combination Boiler, Pressurised System

MINIMUM OPERATING PRESSURE

0.2 Bar LP

MAXIMUM OPERATING PRESSURE

5.0 Bar HP

HANDLES

Single Lever

MOUNTING

Wall Mounted

tel: 01934 744466
email: sales@vado.com
www.vado.com

WHERE INSPIRATION FLOWS
TAPS | SHOWERS | FURNITURE



SPECIFICATION SHEET

COLLECTION: ORIGINS
PRODUCT CODE: IND-ORI209SA-BRN

INSTALLATION TOLERANCES

min-max wall mount 53-70mm

RECOMMENDED FLOW REGULATOR

5 l/m flow regulator fitted as standard when installing below 1.0 bar pressure, removal of the flow regulator is required

WITH ECOTURN COLD START TECHNOLOGY

No

WITH WATER FLOW STRAIGHTENER

No

WITH WATER FLOW AERATOR

Yes

CONNECTIONS / FITTINGS

2 x 1/2" inlets

WALL HOLE DRILL DIAMETER

Spout: 40-48mm Handle: 40-50mm

SPARE PARTS

ceramic cartridge CAR-K35B

NOTES

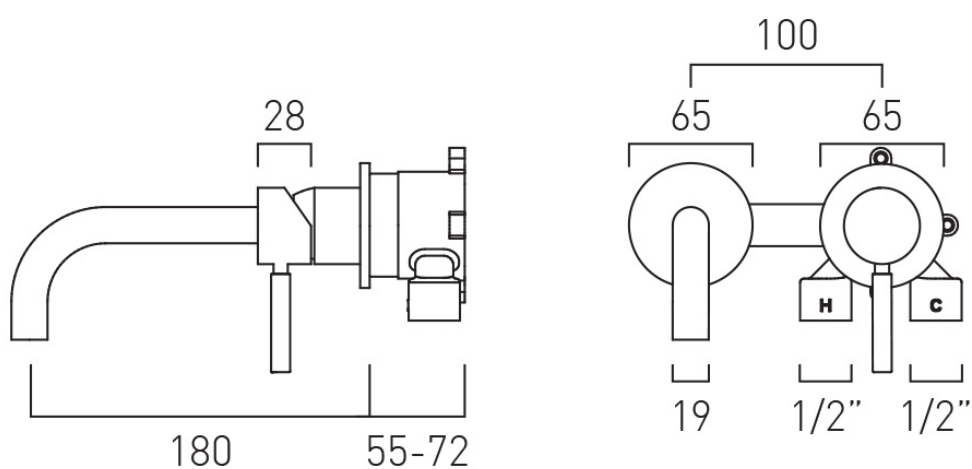
tile-to mortar guard included



TECHNICAL DRAWING

COLLECTION: ORIGINS

PRODUCT CODE: IND-ORI209SA-BRN



tel: 01934 744466
email: sales@vado.com
www.vado.com

WHERE INSPIRATION FLOWS
TAPS | SHOWERS | FURNITURE

