

SPECIFICATION SHEET

COLLECTION: SAFARI

PRODUCT CODE: SAF-2701-MF-CP



SHOWER TYPE

Shower Packages

COLLECTION NAME

Safari

FINISH

Chrome

MINIMUM OPERATING PRESSURE

1.0 Bar MP

MAXIMUM OPERATING PRESSURE

5.0 Bar HP

GUARANTEE

15 Year Guarantee

PLUMBING SYSTEM SUITABILITY

Pumped System, Combination Boiler, Pressurised System

SPARE PARTS

Thermostatic cartridge: V-704-34S. Flow cartridge: C-301-RTC

CONNECTIONS / FITTINGS

Valve: 3/4" easy-fit brackets included, 1/2" hose connection

tel: 01934 744466
email: sales@vado.com
www.vado.com

WHERE INSPIRATION FLOWS
TAPS | SHOWERS | FURNITURE



SPECIFICATION SHEET

COLLECTION: SAFARI

PRODUCT CODE: SAF-2701-MF-CP

WITH AIR-INJECTION TECHNOLOGY

No

SHOWER PACKAGE DESCRIPTION

Leverless 1 Outlet Wall Mounted Exposed Thermostatic Shower Bar Valve (SAF-249T-CP)

Multi-Function Slide Rail Kit with 4 Function Handset and 150cm Hose (SAF-MFSRK-CP)

KIT COMPRISES

1 x Shower Valve, 1 x Multi Function Slide Rail Kit

WITH THERMOSTATIC TECHNOLOGY

Yes

NUMBER OF OUTLETS

1 Outlet

VALVE TYPE

Exposed

INCLUDES MORTAR / TILE GUARD

No

WITH BLEED VALVE FOR SYSTEM FLUSH ON INSTALLATION

No

COMPATIBLE WITH STUDFAST

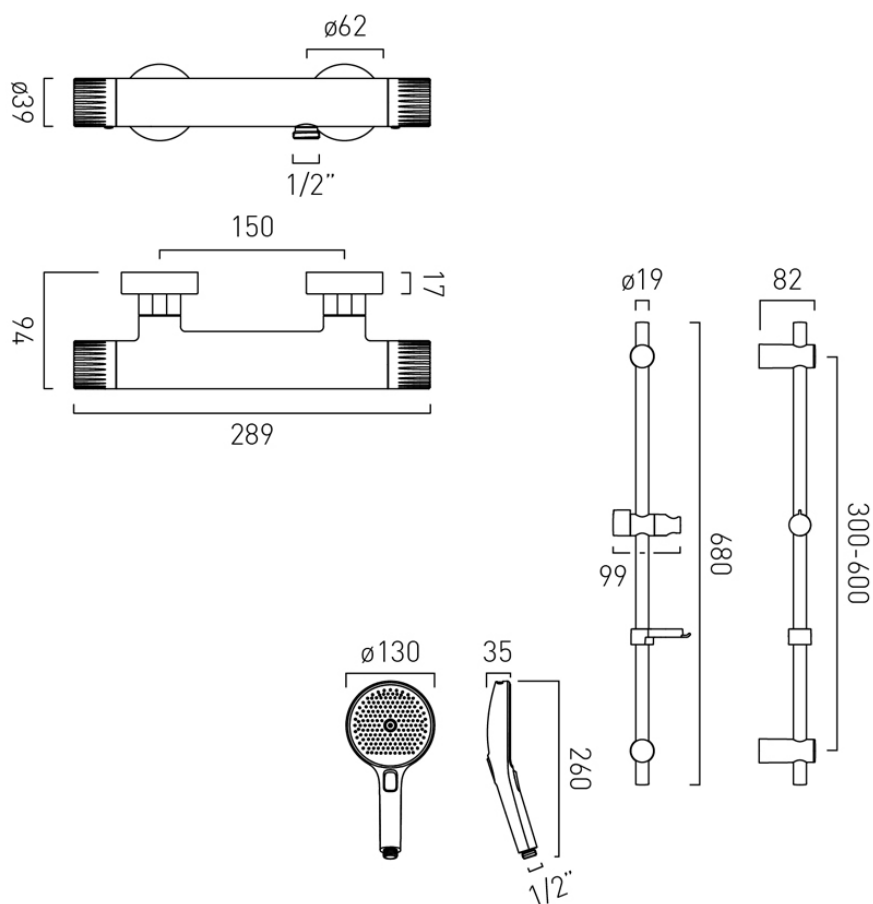
No

ADJUSTABLE FIXING FOR EASY RETRO FIT

No

TECHNICAL DRAWING

COLLECTION: SAFARI
PRODUCT CODE: SAF-2701-MF-CP



tel: 01934 744466
email: sales@vado.com
www.vado.com

WHERE INSPIRATION FLOWS
TAPS | SHOWERS | FURNITURE

