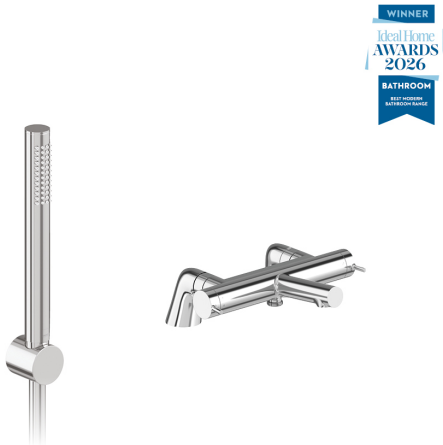


# SPECIFICATION SHEET

COLLECTION: SAFARI  
PRODUCT CODE: SAF-131T+K-CP



## SHOWER TYPE

Shower Packages

## COLLECTION NAME

Safari

## FINISH

Chrome

## MINIMUM OPERATING PRESSURE

1.0 Bar MP

## MAXIMUM OPERATING PRESSURE

5.0 Bar HP

## GUARANTEE

15 Year Guarantee

## PLUMBING SYSTEM SUITABILITY

Pumped System, Combination Boiler, Pressurised System

## DECK HOLE DRILL DIAMETER

28-35mm

## SPARE PARTS

Thermostatic cartridge: V-704-34S. Diverter cartridge: C-801-33/2P

tel: 01934 744466  
email: sales@vado.com  
www.vado.com

WHERE INSPIRATION FLOWS  
TAPS | SHOWERS | FURNITURE



# SPECIFICATION SHEET

COLLECTION: SAFARI  
PRODUCT CODE: SAF-131T+K-CP

## CONNECTIONS / FITTINGS

Bath Shower Mixer: 2x 3/4" 50mm threaded connection on legs

## WITH AIR-INJECTION TECHNOLOGY

No

## SHOWER PACKAGE DESCRIPTION

Leverl Deck Mounted Exposed Thermostatic Bath Shower Mixer (SAF-131T-CP)  
Single-Function Mini Kit (SAF-SFMK-CP)

## KIT COMPRISES

1 x Bath Shower Mixer Tap, 1 x Single-Function Mini Kit

## WITH THERMOSTATIC TECHNOLOGY

Yes

## NUMBER OF OUTLETS

2 Outlet

## VALVE TYPE

Exposed

## INCLUDES MORTAR / TILE GUARD

No

## WITH BLEED VALVE FOR SYSTEM FLUSH ON INSTALLATION

No

## COMPATIBLE WITH STUDFAST

No

## ADJUSTABLE FIXING FOR EASY RETRO FIT

No

# TECHNICAL DRAWING

COLLECTION: SAFARI  
PRODUCT CODE: SAF-131T+K-CP

