

SPECIFICATION SHEET

COLLECTION: SAFARI

PRODUCT CODE: SAF-131T+SFSRK-CP



SHOWER TYPE

Shower Packages

COLLECTION NAME

Safari

FINISH

Chrome

MINIMUM OPERATING PRESSURE

1.0 Bar MP

MAXIMUM OPERATING PRESSURE

5.0 Bar HP

GUARANTEE

15 Year Guarantee

PLUMBING SYSTEM SUITABILITY

Pumped System, Combination Boiler, Pressurised System

DECK HOLE DRILL DIAMETER

28-35mm

SPARE PARTS

Thermostatic cartridge: V-704-34S. Diverter cartridge: C-801-33/2P

tel: 01934 744466
email: sales@vado.com
www.vado.com

WHERE INSPIRATION FLOWS
TAPS | SHOWERS | FURNITURE



SPECIFICATION SHEET

COLLECTION: SAFARI

PRODUCT CODE: SAF-131T+SFSRK-CP

CONNECTIONS / FITTINGS

Bath Shower Mixer: 2x 3/4" 50mm threaded connection on legs

WITH AIR-INJECTION TECHNOLOGY

No

SHOWER PACKAGE DESCRIPTION

Lever Deck Mounted Exposed Thermostatic Bath Shower Mixer (SAF-131T-CP)

Single-Function Slide Rail Kit (SAF-SFSRK-CP)

KIT COMPRISES

1 x Bath Shower Mixer Tap, 1 x Single-Function Slide Rail Kit

WITH THERMOSTATIC TECHNOLOGY

Yes

NUMBER OF OUTLETS

2 Outlet

VALVE TYPE

Exposed

INCLUDES MORTAR / TILE GUARD

No

WITH BLEED VALVE FOR SYSTEM FLUSH ON INSTALLATION

No

COMPATIBLE WITH STUDFAST

No

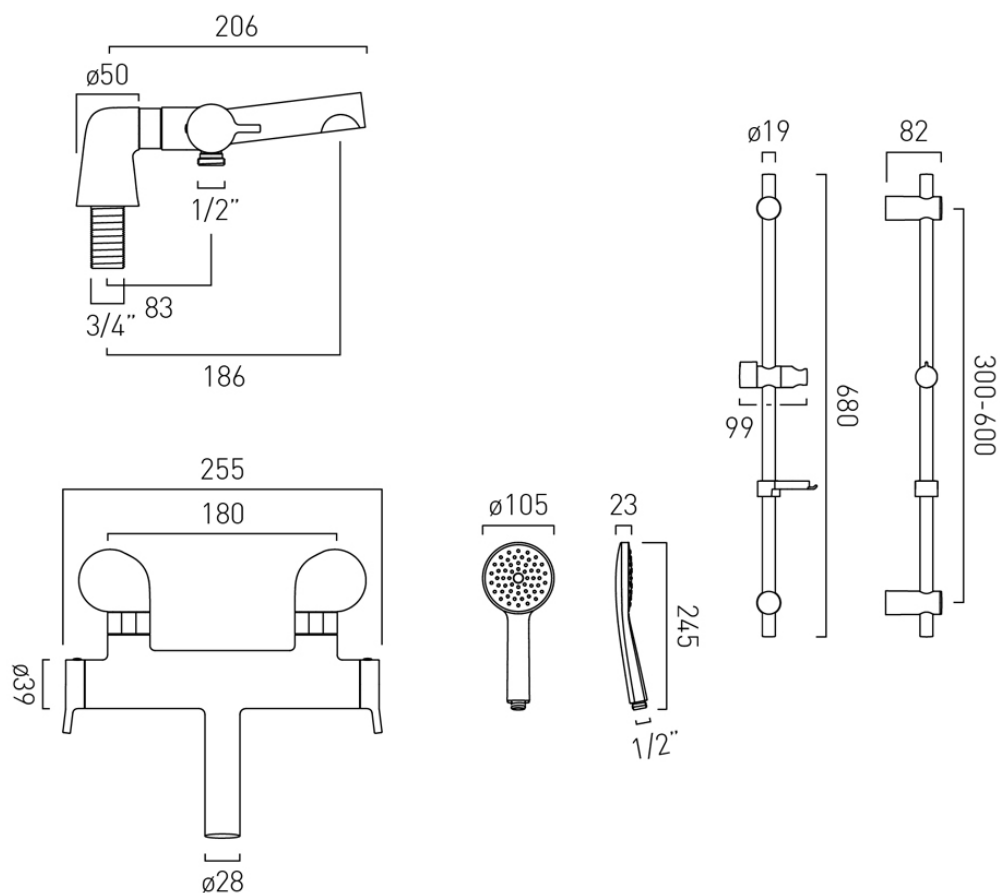
ADJUSTABLE FIXING FOR EASY RETRO FIT

No

TECHNICAL DRAWING

COLLECTION: SAFARI

PRODUCT CODE: SAF-131T+SFSRK-CP



tel: 01934 744466
email: sales@vado.com
www.vado.com

WHERE INSPIRATION FLOWS
TAPS | SHOWERS | FURNITURE

