

# SPECIFICATION SHEET

COLLECTION: SAFARI

PRODUCT CODE: DX-172250-SAF-PEW



## SHOWER TYPE

Shower Packages

## COLLECTION NAME

Safari

## FINISH

Pewter

## MINIMUM OPERATING PRESSURE

1.0 Bar MP

## MAXIMUM OPERATING PRESSURE

5.0 Bar HP

## GUARANTEE

10 Year Guarantee

## PLUMBING SYSTEM SUITABILITY

Pumped System, Combination Boiler, Pressurised System

## SPARE PARTS

Thermostatic cartridge: V-704-34S. Diverter cartridge: C-803-33X/3X

## CONNECTIONS / FITTINGS

Valve: 2 x 3/4" female inlets, 2 x 3/4" female. Head: 1/2" female inlet. Outlet: 1/2" threaded inlet 1/2" threaded outlet.

tel: 01934 744466  
email: sales@vado.com  
www.vado.com

WHERE INSPIRATION FLOWS  
TAPS | SHOWERS | FURNITURE



# SPECIFICATION SHEET

COLLECTION: SAFARI

PRODUCT CODE: DX-172250-SAF-PEW

## WITH AIR-INJECTION TECHNOLOGY

No

## SHOWER PACKAGE DESCRIPTION

Lever 2 Outlet Concealed Thermostatic Shower Valve (SAF-148D/2-PEW)

260mm (10") Rainfall Shower Head (SAF-HEAD-260-PEW)

Easy-Fit Shower Arm (SAF-EFSA-PEW)

Outlet (SAF-OUTLET-PEW)

Multi Function Slide Rail Kit with 4 Function Handset and 150cm Hose (SAF-MFSRK-PEW)

## KIT COMPRISES

1 x Shower Valve, 1 x Shower Head, 1 x Shower Arm, 1 x Outlet, 1 x Multi Function Slide Rail Kit

## WITH THERMOSTATIC TECHNOLOGY

Yes

## NUMBER OF OUTLETS

2 Outlet

## VALVE TYPE

Concealed

## INCLUDES MORTAR / TILE GUARD

No

## WITH BLEED VALVE FOR SYSTEM FLUSH ON INSTALLATION

No

## COMPATIBLE WITH STUDFAST

No

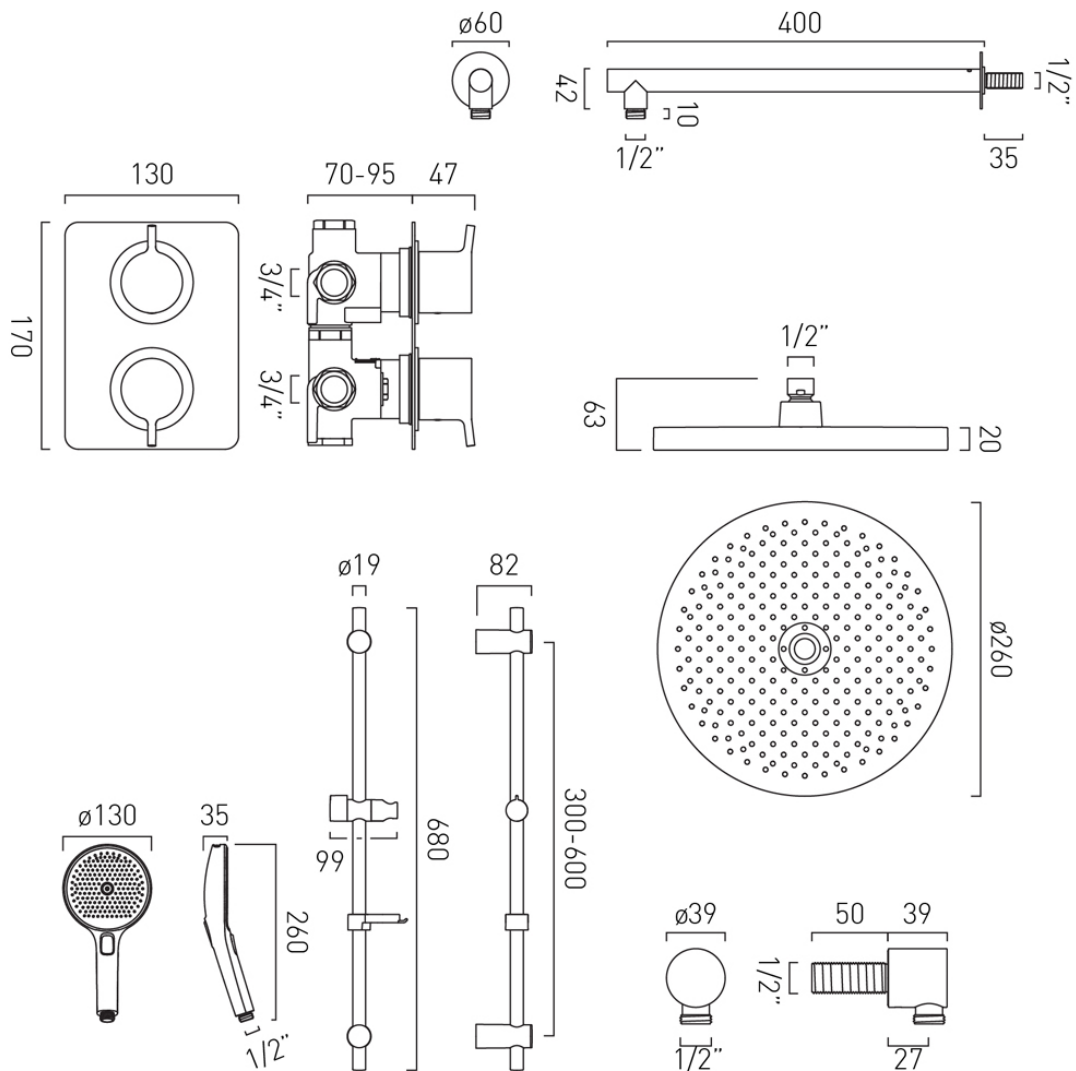
## ADJUSTABLE FIXING FOR EASY RETRO FIT

No

# TECHNICAL DRAWING

COLLECTION: SAFARI

PRODUCT CODE: DX-172250-SAF-PEW



tel: 01934 744466  
email: sales@vado.com  
www.vado.com

WHERE INSPIRATION FLOWS  
TAPS | SHOWERS | FURNITURE

