

SPECIFICATION SHEET

COLLECTION: AXBRIDGE
PRODUCT CODE: BC-AXB-150A-CP



TAP TYPE

Kitchen Tap

PLUMBING SYSTEM SUITABILITY

Gravity System, Pumped System, Combination Boiler, Pressurised System

FINISH

Chrome

COLLECTION NAME

Axbridge

STYLE

Traditional, Cross Handles

DECK HOLE DRILL DIAMETER

35mm

SPARE PARTS

hot ceramic cartridge FL-501-LTC cold ceramic cartridge FL-501-RTC

CONNECTIONS / FITTINGS

2 x 1/2" 400mm flexipipe connections

WITH WATER FLOW AERATOR

No

tel: 01934 744466
email: sales@vado.com
www.vado.com

WHERE INSPIRATION FLOWS
TAPS | SHOWERS | FURNITURE



SPECIFICATION SHEET

COLLECTION: AXBRIDGE
PRODUCT CODE: BC-AXB-150A-CP

WITH SWIVEL SPOUT

1

WITH WATER FLOW STRAIGHTENER

Yes

MOUNTING

Deck Mounted

MINIMUM OPERATING PRESSURE

0.2 Bar LP

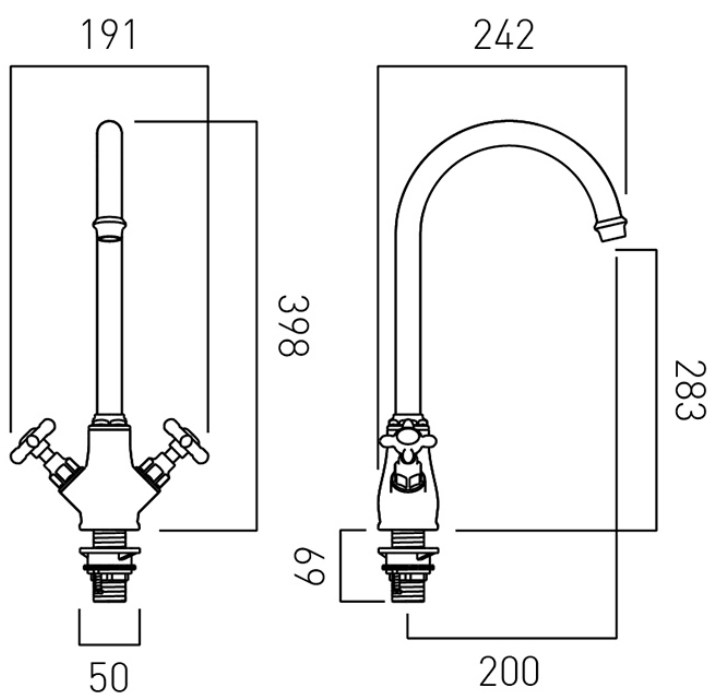
MAXIMUM OPERATING PRESSURE

5.0 Bar HP



TECHNICAL DRAWING

COLLECTION: AXBRIDGE
PRODUCT CODE: BC-AXB-150A-CP



tel: 01934 744466
email: sales@vado.com
www.vado.com

WHERE INSPIRATION FLOWS
TAPS | SHOWERS | FURNITURE

