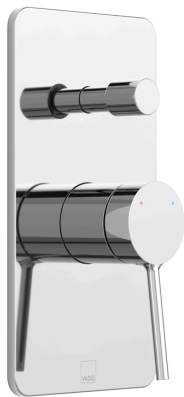


SPECIFICATION SHEET

COLLECTION: SAFARI
PRODUCT CODE: SAF-147A-CP



SHOWER TYPE

Shower Valve

VALVE TYPE

Concealed

STYLE

Round

ORIENTATION

Horizontal

NUMBER OF OUTLETS

2 Outlet

HANDLES

1 Handle

WITH ALL-FLOW FUNCTION

No

WITH INTEGRATED DIVERTER

Yes

COMPATIBLE WITH STUDFAST

No

tel: 01934 744466
email: sales@vado.com
www.vado.com

WHERE INSPIRATION FLOWS
TAPS | SHOWERS | FURNITURE



SPECIFICATION SHEET

COLLECTION: SAFARI
PRODUCT CODE: SAF-147A-CP

WITH BLEED VALVE FOR SYSTEM FLUSH ON INSTALLATION

No

WITH SHOWER KIT

No

INCLUDES MORTAR / TILE GUARD

Yes

COMPATIBLE WITH EASY-FIX BRACKETS

No

WITH THERMOSTATIC TECHNOLOGY

No

MIN-MAX WALL MOUNT

40-65mm

CONNECTIONS / FITTINGS

2 x 1/2" female inlets, 2 x 1/2" female outlets

SPARE PARTS

Ceramic cartridge C-006-N35

MOUNTING

Wall Mounted

PLUMBING SYSTEM SUITABILITY

Gravity System, Pumped System, Combination Boiler, Pressurised System

COLLECTION NAME

Safari

FINISH

Chrome

SPECIFICATION SHEET

COLLECTION: SAFARI
PRODUCT CODE: SAF-147A-CP

MINIMUM OPERATING PRESSURE

0.2 Bar LP

MAXIMUM OPERATING PRESSURE

5.0 Bar HP

GUARANTEE

15 Year Guarantee

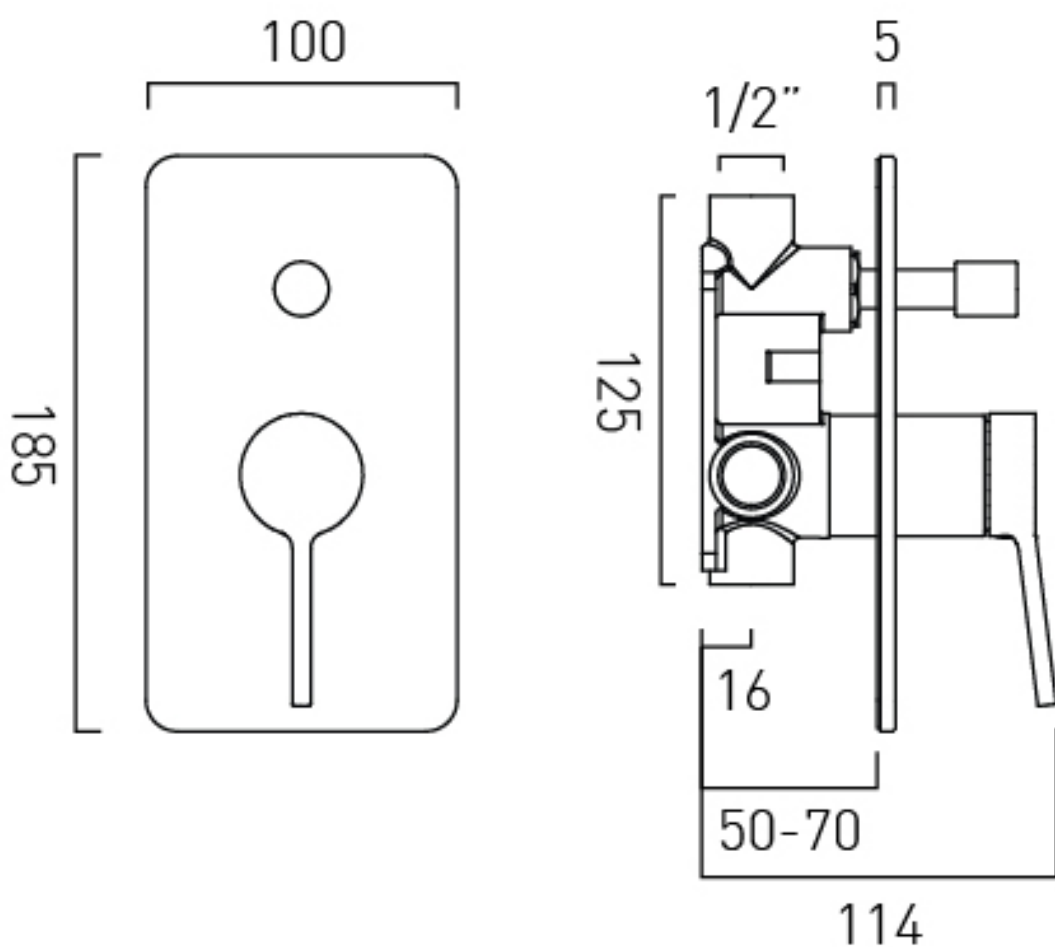
tel: 01934 744466
email: sales@vado.com
www.vado.com

WHERE INSPIRATION FLOWS
TAPS | SHOWERS | FURNITURE



TECHNICAL DRAWING

COLLECTION: SAFARI
PRODUCT CODE: SAF-147A-CP



tel: 01934 744466
email: sales@vado.com
www.vado.com

WHERE INSPIRATION FLOWS
TAPS | SHOWERS | FURNITURE

