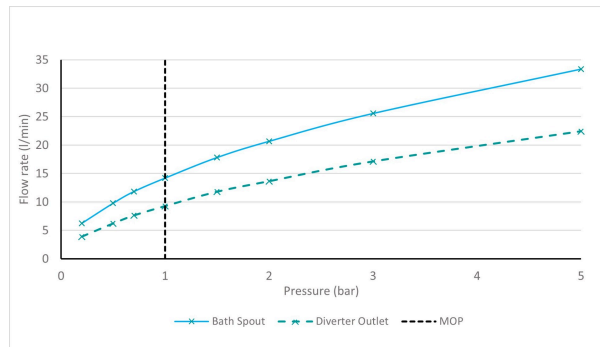


# SPECIFICATION SHEET

COLLECTION: SAFARI  
PRODUCT CODE: SAF-231T-PEW



The flow rate displayed is calculated using ideal system conditions. This result should only be taken as an indication as the flow rate may vary depending on the specific in-situ configuration.

## TAP TYPE

Bath Shower Mixer

## PLUMBING SYSTEM SUITABILITY

Gravity System, Combination Boiler

## HANDLES

2 Handle

## MOUNTING

Deck Mounted

## WITH INTEGRATED DIVERTER

No

## WITH EASY-FIT BRACKETS

No

## WITH SHOWER KIT

No

## WITH THERMOSTATIC TECHNOLOGY

Yes

## FOR USE WITH BATH FILLER WASTE AND OVERFLOW

No

tel: 01934 744466  
email: sales@vado.com  
www.vado.com

WHERE INSPIRATION FLOWS  
TAPS | SHOWERS | FURNITURE



# SPECIFICATION SHEET

COLLECTION: SAFARI  
PRODUCT CODE: SAF-231T-PEW

## MINIMUM OPERATING PRESSURE

1.0 Bar MP

## WITH BATH SPOUT

No

## WITH AIR-INJECTION TECHNOLOGY

No

## WITH WATER FLOW STRAIGHTENER

Yes

## WITH WATER FLOW AERATOR

No

## CONNECTIONS / FITTINGS

thermostatic cartridge V-704-34S, diverter cartridge C-801-33/2P, 2x 3/4" 50mm threaded connection on legs

## DECK HOLE DRILL DIAMETER

28-35mm

## STYLE

Round

## FINISH

Pewter

## COLLECTION NAME

Safari

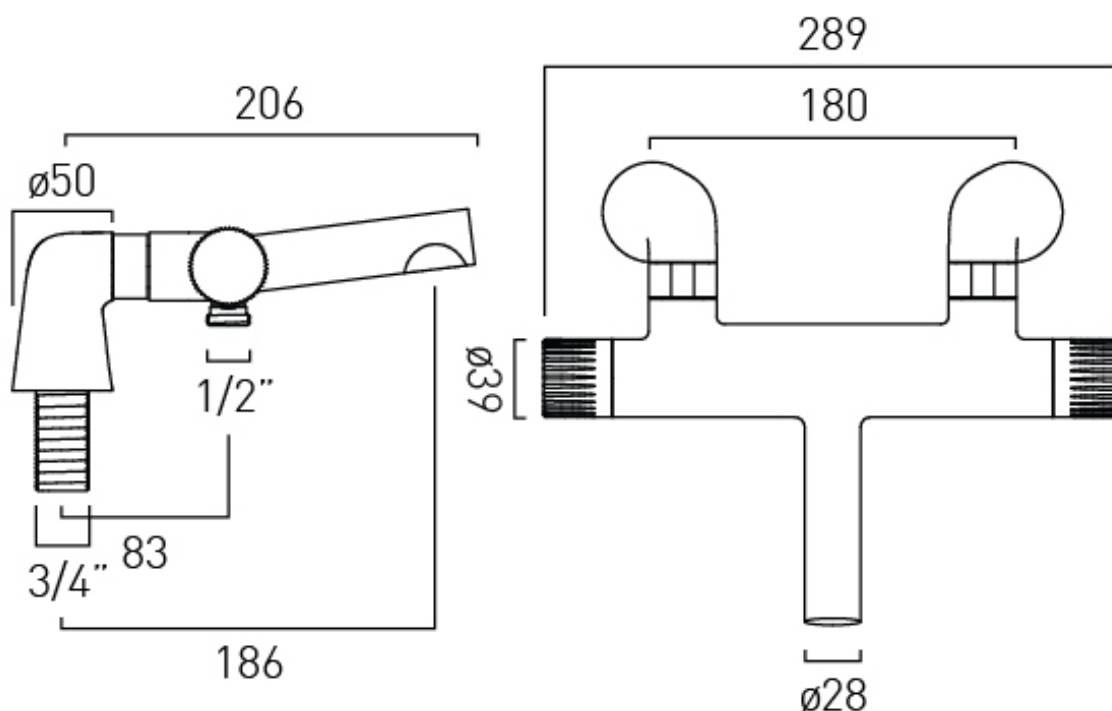
## GUARANTEE

10 Year Guarantee



# TECHNICAL DRAWING

COLLECTION: SAFARI  
PRODUCT CODE: SAF-231T-PEW



tel: 01934 744466  
email: sales@vado.com  
www.vado.com

WHERE INSPIRATION FLOWS  
TAPS | SHOWERS | FURNITURE

