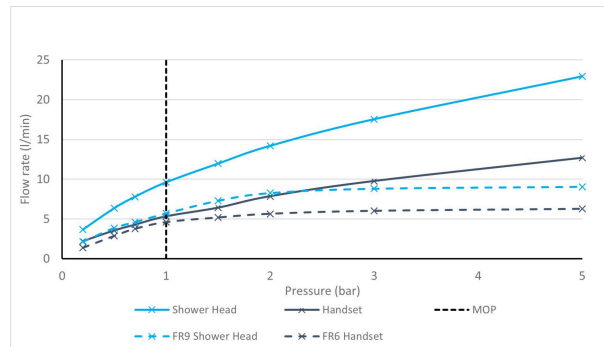


SPECIFICATION SHEET

COLLECTION: SAFARI

PRODUCT CODE: SAF-249T-RRK-SBR



The flow rate displayed is calculated using ideal system conditions. This result should only be taken as an indication as the flow rate may vary depending on the specific in-situ configuration.

SHOWER TYPE

Shower Column

WITH SHOWER KIT

Yes

WITH AIR-INJECTION TECHNOLOGY

No

VALVE TYPE

Exposed

WITH CROSS-SPRAY TECHNOLOGY

No

WITH EASY-FIT BRACKETS

Yes

ADJUSTABLE FIXING FOR EASY RETRO FIT

No

WITH INTEGRATED DIVERTER

Yes

SHOWER HEAD SIZE

260mm

tel: 01934 744466
email: sales@vado.com
www.vado.com

WHERE INSPIRATION FLOWS
TAPS | SHOWERS | FURNITURE



SPECIFICATION SHEET

COLLECTION: SAFARI

PRODUCT CODE: SAF-249T-RRK-SBR

WITH THERMOSTATIC TECHNOLOGY

Yes

WITH WATER FLOW STRAIGHTENER

No

INSTALLATION TOLERANCES

476mm height adjustment tolerance: min 786mm – max 1262mm, 24mm depth adjustment tolerance: min 66mm – max 90mm

HANDLES

2 Handle

SPARE PARTS

Thermostatic cartridge V-704-34S, Flow cartridge C-801-33/2P

STYLE

Round, Contemporary

MOUNTING

Wall Mounted

PLUMBING SYSTEM SUITABILITY

Pumped System, Combination Boiler, Pressurised System

COLLECTION NAME

Safari

FINISH

Satin Brass

MINIMUM OPERATING PRESSURE

1.0 Bar MP

MAXIMUM OPERATING PRESSURE

5.0 Bar HP

SPECIFICATION SHEET

COLLECTION: SAFARI

PRODUCT CODE: SAF-249T-RRK-SBR

GUARANTEE

10 Year Guarantee

tel: 01934 744466
email: sales@vado.com
www.vado.com

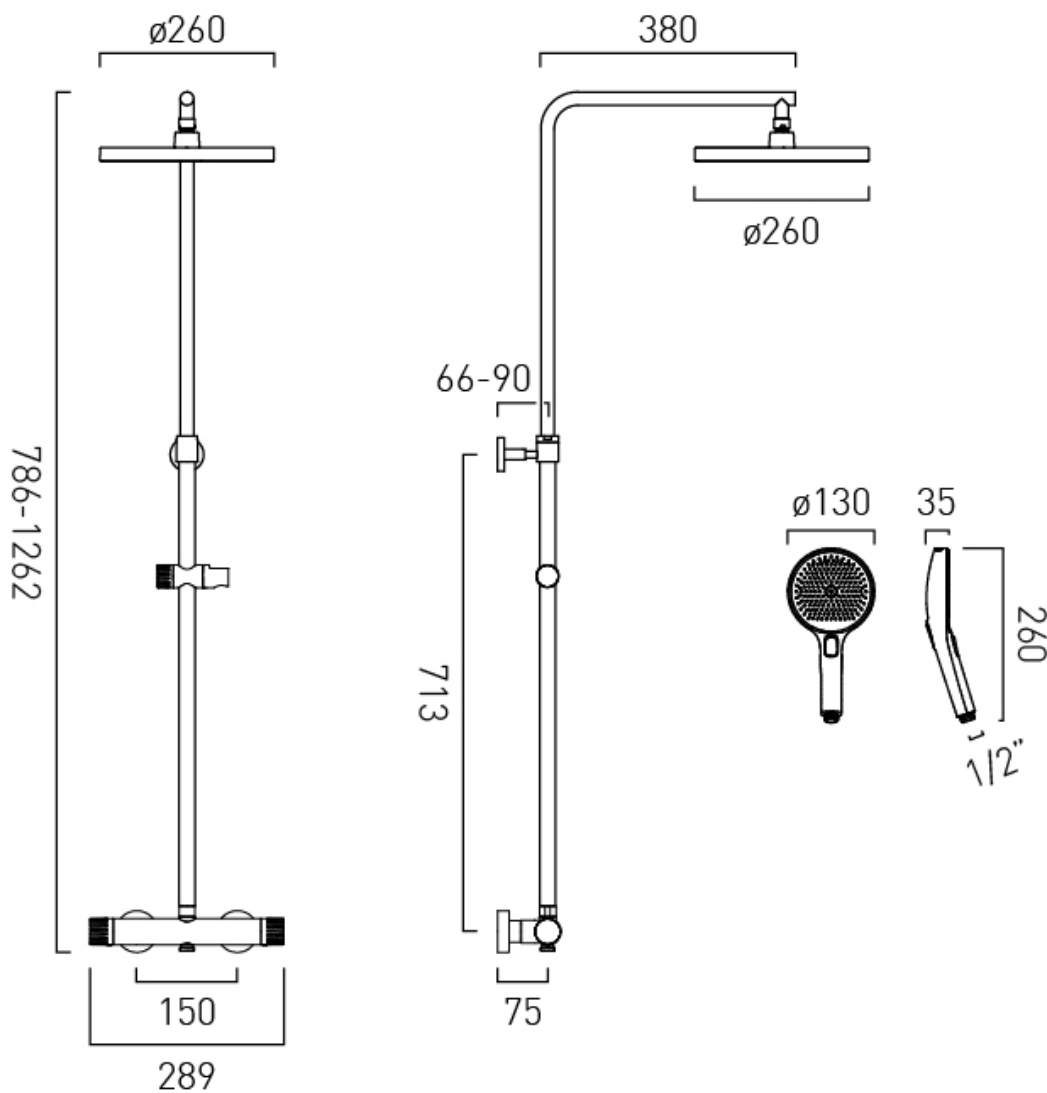
WHERE INSPIRATION FLOWS
TAPS | SHOWERS | FURNITURE



TECHNICAL DRAWING

COLLECTION: SAFARI

PRODUCT CODE: SAF-249T-RRK-SBR



tel: 01934 744466
email: sales@vado.com
www.vado.com

WHERE INSPIRATION FLOWS
TAPS | SHOWERS | FURNITURE

