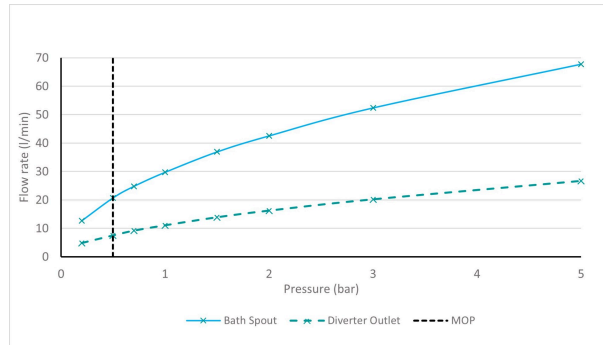
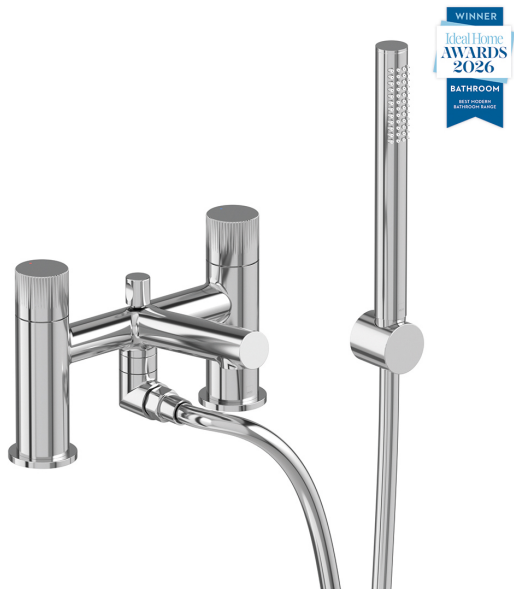


SPECIFICATION SHEET

COLLECTION: SAFARI
PRODUCT CODE: SAF-230+K-CP



The flow rate displayed is calculated using ideal system conditions. This result should only be taken as an indication as the flow rate may vary depending on the specific in-situ configuration.

TAP TYPE

Bath Shower Mixer

PLUMBING SYSTEM SUITABILITY

Gravity System, Pumped System, Combination Boiler, Pressurised System

HANDLES

2 Handle

MATERIAL

Brass

MOUNTING

Deck Mounted

WITH INTEGRATED DIVERTER

Yes

WITH EASY-FIT BRACKETS

No

WITH SHOWER KIT

Yes

WITH SWIVEL SPOUT

with Fixed Spout

tel: 01934 744466
email: sales@vado.com
www.vado.com

WHERE INSPIRATION FLOWS
TAPS | SHOWERS | FURNITURE



SPECIFICATION SHEET

COLLECTION: SAFARI
PRODUCT CODE: SAF-230+K-CP

WITH THERMOSTATIC TECHNOLOGY

No

FOR USE WITH BATH FILLER WASTE AND OVERFLOW

No

MINIMUM OPERATING PRESSURE

0.5 Bar LP

MAXIMUM OPERATING PRESSURE

5.0 Bar HP

RECOMMENDED FLOW REGULATOR

6 l/m optional flow regulator included (handset)

WITH BATH SPOUT

Yes

WITH AIR-INJECTION TECHNOLOGY

No

HOSE

150cm smooth hose

WITH WATER FLOW STRAIGHTENER

No

WITH WATER FLOW AERATOR

No

CONNECTIONS / FITTINGS

2 x 3/4" 48.5mm male threaded inlet connections

DECK HOLE DRILL DIAMETER

2 x 28-38mm

tel: 01934 744466
email: sales@vado.com
www.vado.com

WHERE INSPIRATION FLOWS
TAPS | SHOWERS | FURNITURE



SPECIFICATION SHEET

COLLECTION: SAFARI
PRODUCT CODE: SAF-230+K-CP

SPARE PARTS

Cold ceramic cartridge C-302-RTC Hot ceramic cartridge C-302-LTC

STYLE

Round

FINISH

Chrome

COLLECTION NAME

Safari

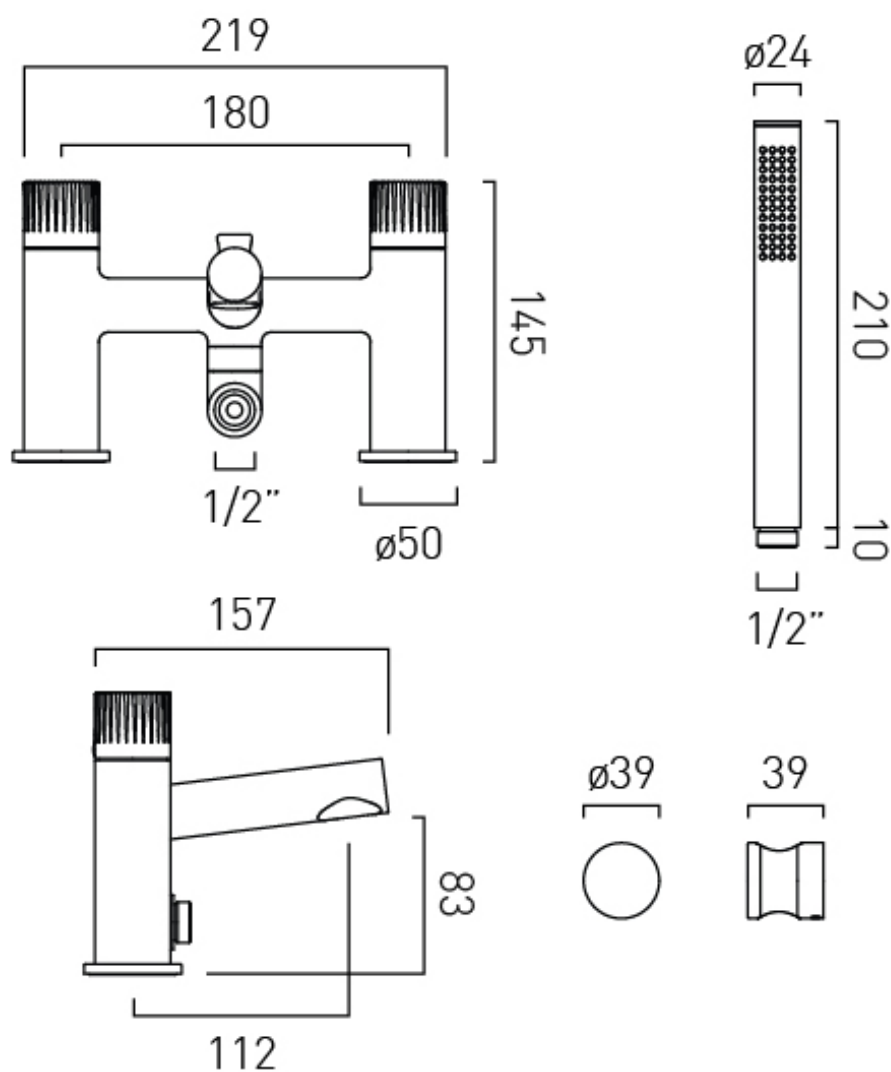
GUARANTEE

10 Year Guarantee



TECHNICAL DRAWING

COLLECTION: SAFARI
PRODUCT CODE: SAF-230+K-CP



tel: 01934 744466
email: sales@vado.com
www.vado.com

WHERE INSPIRATION FLOWS
TAPS | SHOWERS | FURNITURE

