

SPECIFICATION SHEET

COLLECTION: SAFARI
PRODUCT CODE: SAF-248D/3-CP



VALVE TYPE

Concealed

STYLE

Round

ORIENTATION

Vertical

NUMBER OF OUTLETS

3 Outlet

HANDLES

2 Handle

WITH ALL-FLOW FUNCTION

No

WITH INTEGRATED DIVERTER

Yes

COMPATIBLE WITH STUFAST

No

WITH BLEED VALVE FOR SYSTEM FLUSH ON INSTALLATION

Yes

tel: 01934 744466
email: sales@vado.com
www.vado.com

WHERE INSPIRATION FLOWS
TAPS | SHOWERS | FURNITURE



SPECIFICATION SHEET

COLLECTION: SAFARI
PRODUCT CODE: SAF-248D/3-CP

WITH SHOWER KIT

No

OPTIMUM INSTALLATION DEPTH

82mm

INCLUDES MORTAR / TILE GUARD

Yes

COMPATIBLE WITH EASY-FIX BRACKETS

No

WITH THERMOSTATIC TECHNOLOGY

Yes

MIN-MAX WALL MOUNT

70-95mm

CONNECTIONS / FITTINGS

2 x 3/4" female inlets, 3 x 3/4" female outlet inc. bleed valve for system flush on installation, thermostatic cartridge V-704-34S, diverter cartridge C-803-33X/3X

MOUNTING

Wall Mounted

PLUMBING SYSTEM SUITABILITY

Gravity System, Combination Boiler

COLLECTION NAME

Safari

FINISH

Chrome

MINIMUM OPERATING PRESSURE

0.2 Bar LP



SPECIFICATION SHEET

COLLECTION: SAFARI
PRODUCT CODE: SAF-248D/3-CP

MAXIMUM OPERATING PRESSURE

5.0 Bar HP

GUARANTEE

15 Year Guarantee

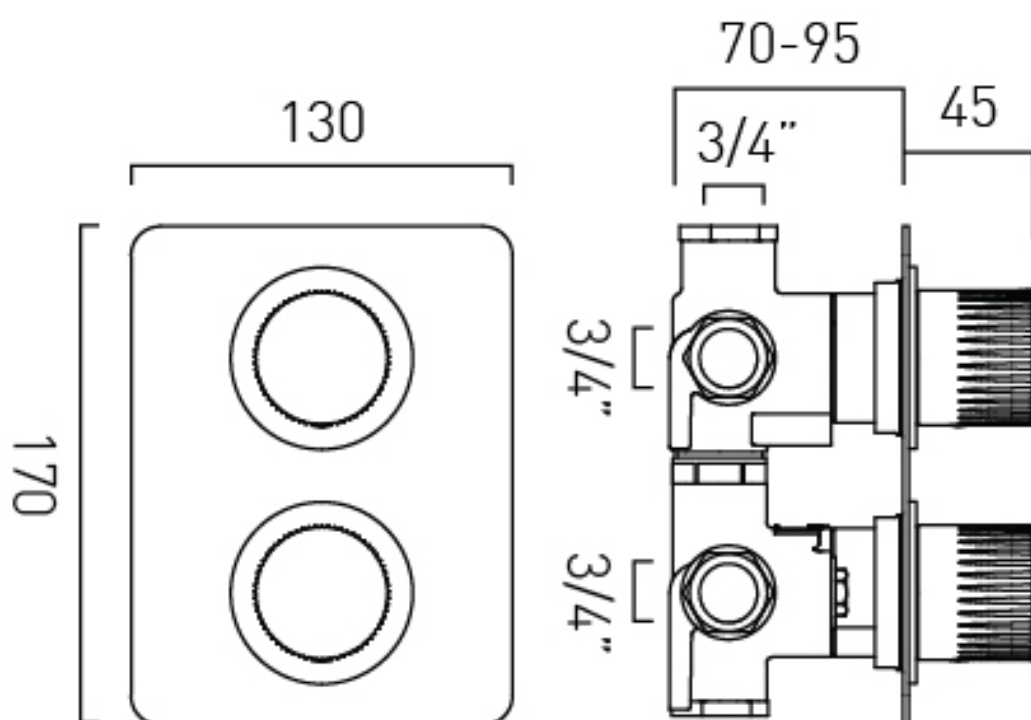
tel: 01934 744466
email: sales@vado.com
www.vado.com

WHERE INSPIRATION FLOWS
TAPS | SHOWERS | FURNITURE



TECHNICAL DRAWING

COLLECTION: SAFARI
PRODUCT CODE: SAF-248D/3-CP



tel: 01934 744466
email: sales@vado.com
www.vado.com

WHERE INSPIRATION FLOWS
TAPS | SHOWERS | FURNITURE

