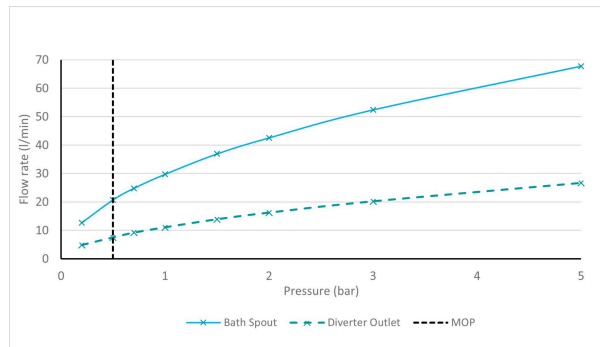


SPECIFICATION SHEET

COLLECTION: SAFARI
PRODUCT CODE: SAF-230+K-SBR



The flow rate displayed is calculated using ideal system conditions. This result should only be taken as an indication as the flow rate may vary depending on the specific in-situ configuration.

TAP TYPE

Bath Shower Mixer

PLUMBING SYSTEM SUITABILITY

Gravity System, Pumped System, Combination Boiler, Pressurised System

HANDLES

2 Handle

MATERIAL

Brass

MOUNTING

Deck Mounted

WITH INTEGRATED DIVERTER

Yes

WITH EASY-FIT BRACKETS

No

WITH SHOWER KIT

Yes

WITH SWIVEL SPOUT

with Fixed Spout

tel: 01934 744466
email: sales@vado.com
www.vado.com

WHERE INSPIRATION FLOWS
TAPS | SHOWERS | FURNITURE



SPECIFICATION SHEET

COLLECTION: SAFARI
PRODUCT CODE: SAF-230+K-SBR

WITH THERMOSTATIC TECHNOLOGY

No

FOR USE WITH BATH FILLER WASTE AND OVERFLOW

No

MINIMUM OPERATING PRESSURE

0.5 Bar LP

MAXIMUM OPERATING PRESSURE

5.0 Bar HP

RECOMMENDED FLOW REGULATOR

6 l/m optional flow regulator included (handset)

WITH BATH SPOUT

Yes

WITH AIR-INJECTION TECHNOLOGY

No

HOSE

150cm smooth hose

WITH WATER FLOW STRAIGHTENER

No

WITH WATER FLOW AERATOR

No

CONNECTIONS / FITTINGS

2 x 3/4" 48.5mm male threaded inlet connections

DECK HOLE DRILL DIAMETER

2 x 28-38mm



SPECIFICATION SHEET

COLLECTION: SAFARI
PRODUCT CODE: SAF-230+K-SBR

SPARE PARTS

Cold ceramic cartridge C-302-RTC Hot ceramic cartridge C-302-LTC

STYLE

Round

FINISH

Satin Brass

COLLECTION NAME

Safari

GUARANTEE

10 Year Guarantee

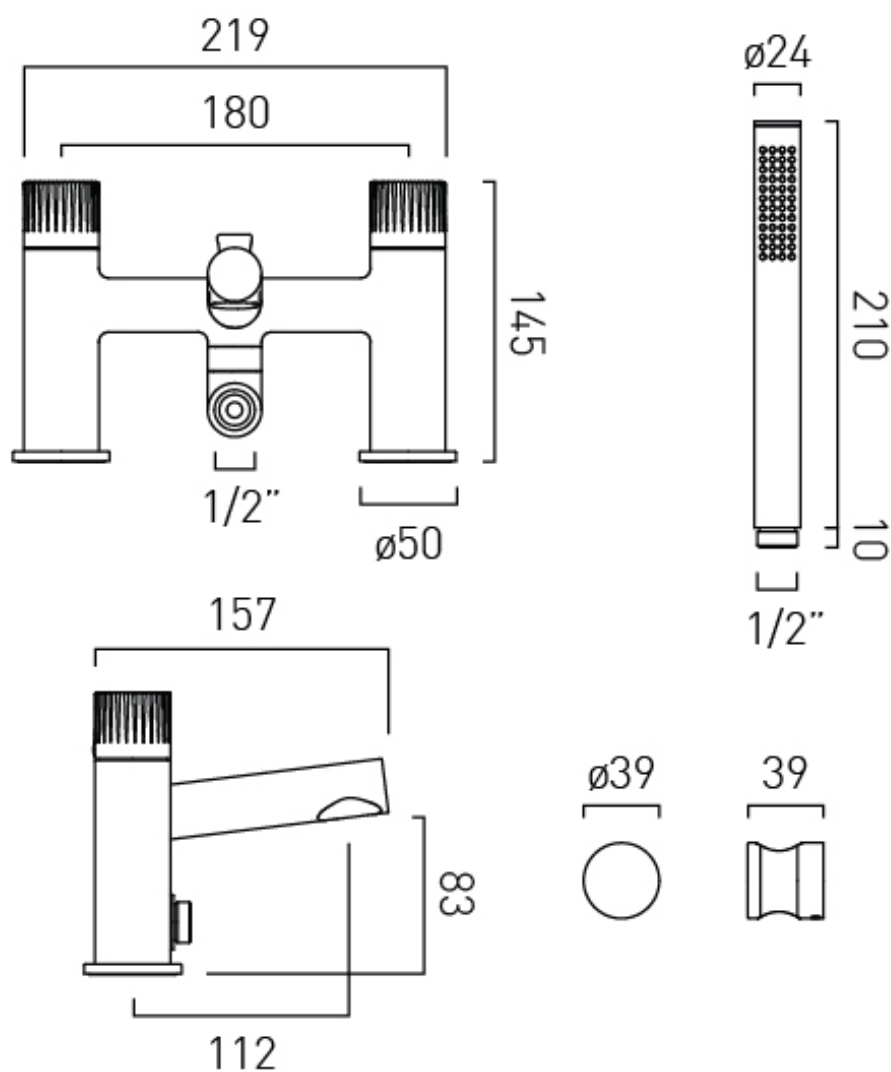
tel: 01934 744466
email: sales@vado.com
www.vado.com

WHERE INSPIRATION FLOWS
TAPS | SHOWERS | FURNITURE



TECHNICAL DRAWING

COLLECTION: SAFARI
PRODUCT CODE: SAF-230+K-SBR



tel: 01934 744466
email: sales@vado.com
www.vado.com

WHERE INSPIRATION FLOWS
TAPS | SHOWERS | FURNITURE

