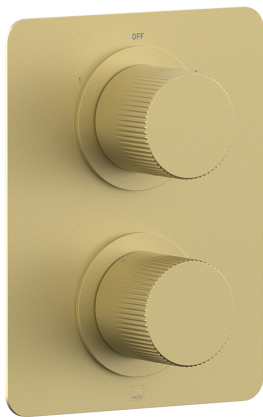


# SPECIFICATION SHEET

COLLECTION: SAFARI

PRODUCT CODE: SAF-248D/2-SBR



## VALVE TYPE

Concealed

## STYLE

Round

## ORIENTATION

Vertical

## NUMBER OF OUTLETS

2 Outlet

## HANDLES

2 Handle

## WITH ALL-FLOW FUNCTION

No

## WITH INTEGRATED DIVERTER

Yes

## COMPATIBLE WITH STUDFAST

No

## WITH BLEED VALVE FOR SYSTEM FLUSH ON INSTALLATION

Yes

tel: 01934 744466  
email: [sales@vado.com](mailto:sales@vado.com)  
[www.vado.com](http://www.vado.com)

WHERE INSPIRATION FLOWS  
TAPS | SHOWERS | FURNITURE



# SPECIFICATION SHEET

COLLECTION: SAFARI  
PRODUCT CODE: SAF-248D/2-SBR

## WITH SHOWER KIT

No

## OPTIMUM INSTALLATION DEPTH

82mm

## INCLUDES MORTAR / TILE GUARD

Yes

## COMPATIBLE WITH EASY-FIX BRACKETS

No

## WITH THERMOSTATIC TECHNOLOGY

Yes

## MIN-MAX WALL MOUNT

70-95mm

## CONNECTIONS / FITTINGS

2 x 3/4" female inlets, 2 x 3/4" female outlet inc. bleed valve for system flush on installation, thermostatic cartridge V-704-34S, diverter cartridge C-803-33X/3X

## MOUNTING

Wall Mounted

## PLUMBING SYSTEM SUITABILITY

Gravity System, Combination Boiler

## COLLECTION NAME

Safari

## FINISH

Satin Brass

## MINIMUM OPERATING PRESSURE

0.2 Bar LP



# SPECIFICATION SHEET

COLLECTION: SAFARI  
PRODUCT CODE: SAF-248D/2-SBR

MAXIMUM OPERATING PRESSURE

5.0 Bar HP

GUARANTEE

10 Year Guarantee

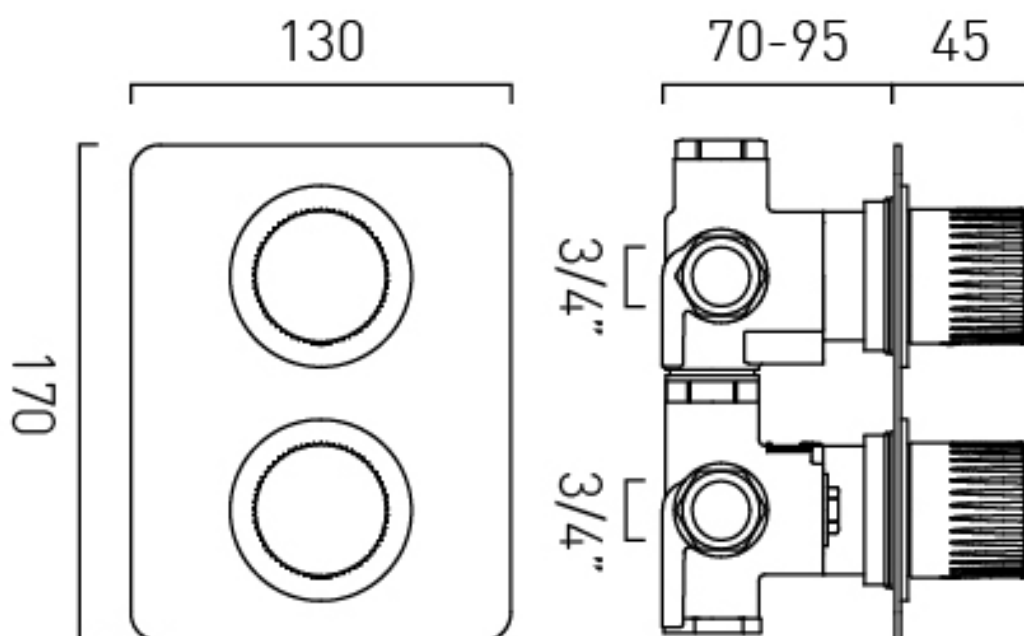
tel: 01934 744466  
email: [sales@vado.com](mailto:sales@vado.com)  
[www.vado.com](http://www.vado.com)

WHERE INSPIRATION FLOWS  
TAPS | SHOWERS | FURNITURE



# TECHNICAL DRAWING

COLLECTION: SAFARI  
PRODUCT CODE: SAF-248D/2-SBR



tel: 01934 744466  
email: sales@vado.com  
www.vado.com

WHERE INSPIRATION FLOWS  
TAPS | SHOWERS | FURNITURE

