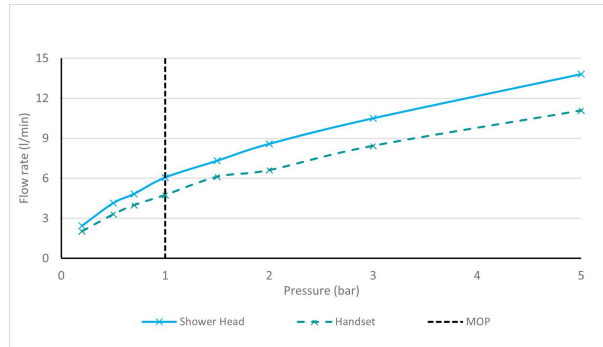


# SPECIFICATION SHEET

COLLECTION: SAFARI

PRODUCT CODE: SAF-149-RRK-SBR



The flow rate displayed is calculated using ideal system conditions. This result should only be taken as an indication as the flow rate may vary depending on the specific in-situ configuration.

## SHOWER TYPE

Shower Column

## WITH SHOWER KIT

Yes

## WITH AIR-INJECTION TECHNOLOGY

No

## VALVE TYPE

Exposed

## WITH CROSS-SPRAY TECHNOLOGY

No

## WITH EASY-FIT BRACKETS

No

## ADJUSTABLE FIXING FOR EASY RETRO FIT

No

## WITH INTEGRATED DIVERTER

Yes

## SHOWER HEAD SIZE

260mm

tel: 01934 744466  
email: sales@vado.com  
www.vado.com

WHERE INSPIRATION FLOWS  
TAPS | SHOWERS | FURNITURE



# SPECIFICATION SHEET

COLLECTION: SAFARI

PRODUCT CODE: SAF-149-RRK-SBR

## WITH THERMOSTATIC TECHNOLOGY

No

## WITH WATER FLOW STRAIGHTENER

No

## INSTALLATION TOLERANCES

476mm height adjustment tolerance: min 786mm - max 1262mm. 30mm depth adjustment tolerance: min 60mm - max 90mm:

## CONNECTIONS / FITTINGS

2 x 1/2" to 3/4" offset connectors

## HANDLES

Single Lever

## SPARE PARTS

Flow Cartridge C-007-N35

## STYLE

Round

## MOUNTING

Wall Mounted

## PLUMBING SYSTEM SUITABILITY

Pumped System, Combination Boiler, Pressurised System

## COLLECTION NAME

Safari

## FINISH

Satin Brass

## MINIMUM OPERATING PRESSURE

1.0 Bar MP

# SPECIFICATION SHEET

COLLECTION: SAFARI

PRODUCT CODE: SAF-149-RRK-SBR

MAXIMUM OPERATING PRESSURE

5.0 Bar HP

GUARANTEE

10 Year Guarantee

tel: 01934 744466  
email: [sales@vado.com](mailto:sales@vado.com)  
[www.vado.com](http://www.vado.com)

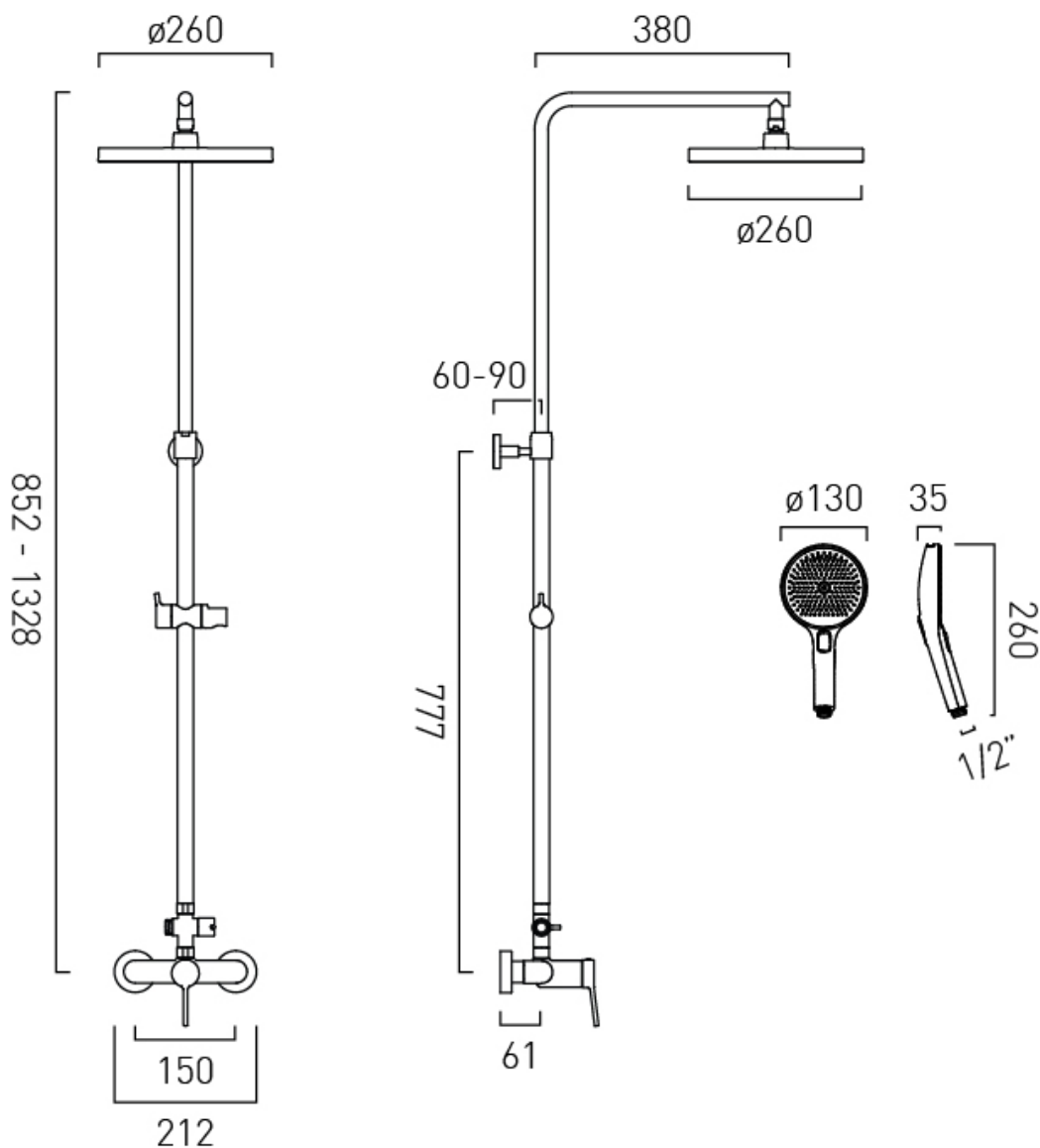
WHERE INSPIRATION FLOWS  
TAPS | SHOWERS | FURNITURE



# TECHNICAL DRAWING

COLLECTION: SAFARI

PRODUCT CODE: SAF-149-RRK-SBR



tel: 01934 744466  
email: sales@vado.com  
www.vado.com

WHERE INSPIRATION FLOWS  
TAPS | SHOWERS | FURNITURE

