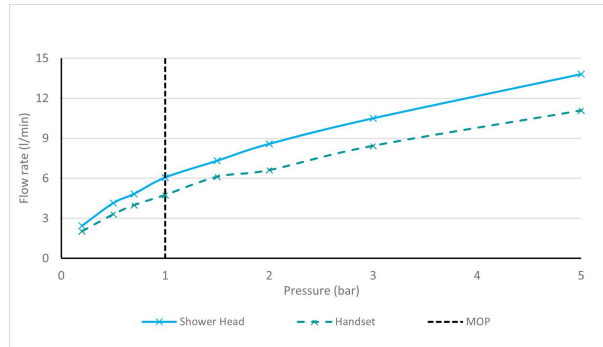


# SPECIFICATION SHEET

COLLECTION: SAFARI

PRODUCT CODE: SAF-149-RRK-CP



The flow rate displayed is calculated using ideal system conditions. This result should only be taken as an indication as the flow rate may vary depending on the specific in-situ configuration.

## WITH AIR-INJECTION TECHNOLOGY

No

## WITH CROSS-SPRAY TECHNOLOGY

No

## ADJUSTABLE FIXING FOR EASY RETRO FIT

No

## SHOWER HEAD SIZE

260mm

## WITH SHOWER KIT

Yes

## VALVE TYPE

Exposed

## WITH EASY-FIT BRACKETS

No

## WITH INTEGRATED DIVERTER

Yes

## WITH THERMOSTATIC TECHNOLOGY

No

tel: 01934 744466  
email: sales@vado.com  
www.vado.com

WHERE INSPIRATION FLOWS  
TAPS | SHOWERS | FURNITURE



# SPECIFICATION SHEET

COLLECTION: SAFARI  
PRODUCT CODE: SAF-149-RRK-CP

## WITH WATER FLOW STRAIGHTENER

No

## INSTALLATION TOLERANCES

476mm height adjustment tolerance: min 786mm - max 1262mm. 30mm depth adjustment tolerance: min 60mm - max 90mm:

## CONNECTIONS / FITTINGS

2 x 1/2" to 3/4" offset connectors

## HANDLES

Single Lever

## SPARE PARTS

Flow Cartridge C-007-N35

## STYLE

Round

## MOUNTING

Wall Mounted

## PLUMBING SYSTEM SUITABILITY

Pumped System, Combination Boiler, Pressurised System

## COLLECTION NAME

Safari

## FINISH

Chrome

## MINIMUM OPERATING PRESSURE

1.0 Bar MP

## MAXIMUM OPERATING PRESSURE

5.0 Bar HP



# SPECIFICATION SHEET

COLLECTION: SAFARI  
PRODUCT CODE: SAF-149-RRK-CP

GUARANTEE  
15 Year Guarantee

tel: 01934 744466  
email: [sales@vado.com](mailto:sales@vado.com)  
[www.vado.com](http://www.vado.com)

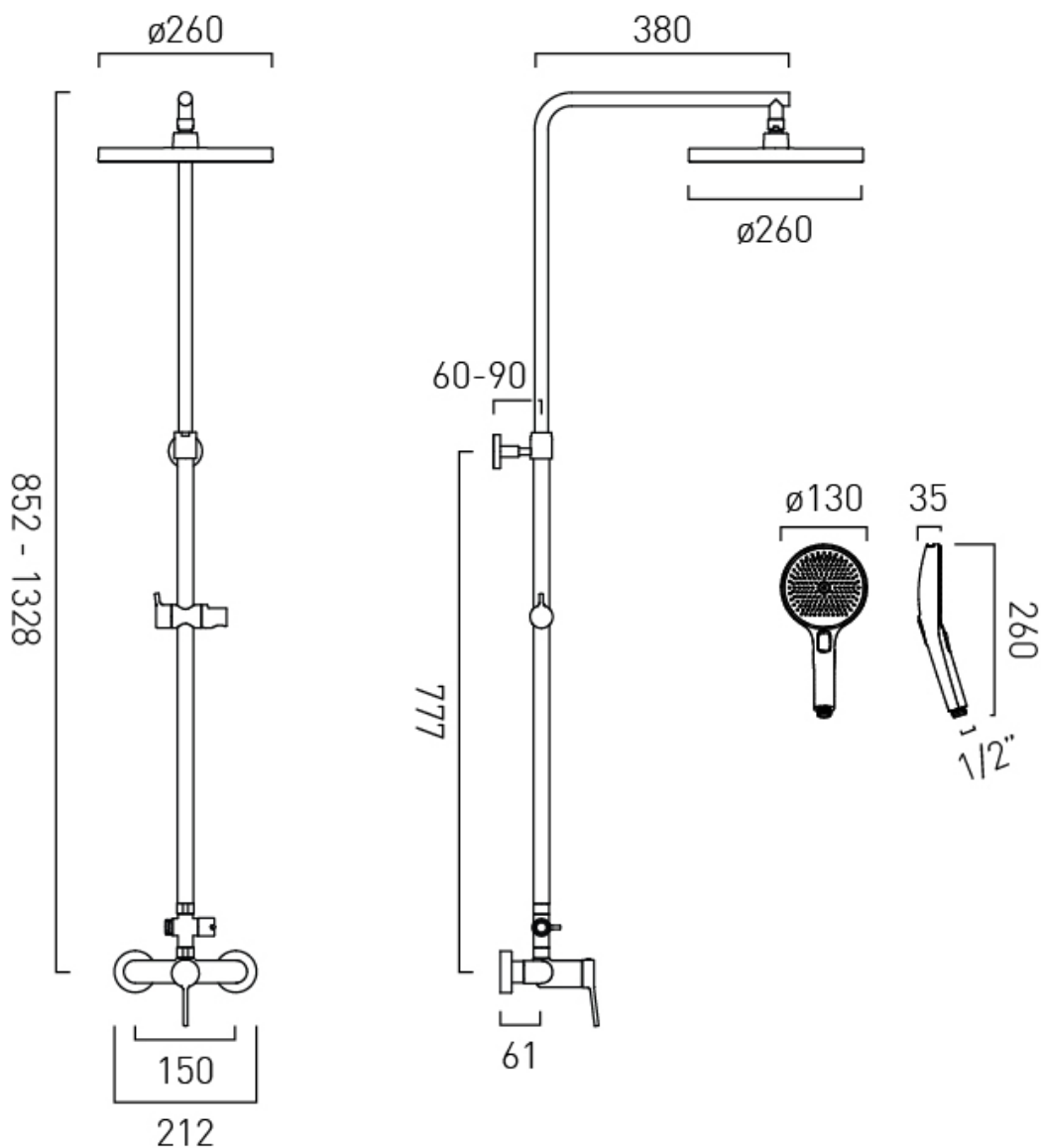
WHERE INSPIRATION FLOWS  
TAPS | SHOWERS | FURNITURE



# TECHNICAL DRAWING

COLLECTION: SAFARI

PRODUCT CODE: SAF-149-RRK-CP



tel: 01934 744466  
email: sales@vado.com  
www.vado.com

WHERE INSPIRATION FLOWS  
TAPS | SHOWERS | FURNITURE

