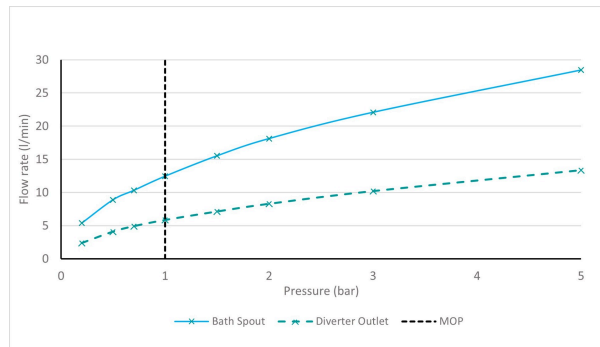


SPECIFICATION SHEET

COLLECTION: SAFARI
PRODUCT CODE: SAF-123-MB



The flow rate displayed is calculated using ideal system conditions. This result should only be taken as an indication as the flow rate may vary depending on the specific in-situ configuration.

TAP TYPE

Bath Shower Mixer

PLUMBING SYSTEM SUITABILITY

Pumped System, Combination Boiler, Pressurised System

HANDLES

Single Lever

MATERIAL

Brass

MOUNTING

Wall Mounted

WITH INTEGRATED DIVERTER

Yes

WITH EASY-FIT BRACKETS

No

WITH SHOWER KIT

No

WITH SWIVEL SPOUT

with Fixed Spout

tel: 01934 744466
email: sales@vado.com
www.vado.com

WHERE INSPIRATION FLOWS
TAPS | SHOWERS | FURNITURE



SPECIFICATION SHEET

COLLECTION: SAFARI
PRODUCT CODE: SAF-123-MB

WITH THERMOSTATIC TECHNOLOGY

No

FOR USE WITH BATH FILLER WASTE AND OVERFLOW

No

MINIMUM OPERATING PRESSURE

1.0 Bar MP

MAXIMUM OPERATING PRESSURE

5.0 Bar HP

WITH BATH SPOUT

Yes

WITH AIR-INJECTION TECHNOLOGY

No

WITH WATER FLOW STRAIGHTENER

Yes

WITH WATER FLOW AERATOR

No

CONNECTIONS / FITTINGS

2 x 1/2" to 3/4" threaded offset connectors

SPARE PARTS

Ceramic cartridge C-007-N35

STYLE

Round

FINISH

Matt Black



SPECIFICATION SHEET

COLLECTION: SAFARI
PRODUCT CODE: SAF-123-MB

COLLECTION NAME

Safari

GUARANTEE

10 Year Guarantee

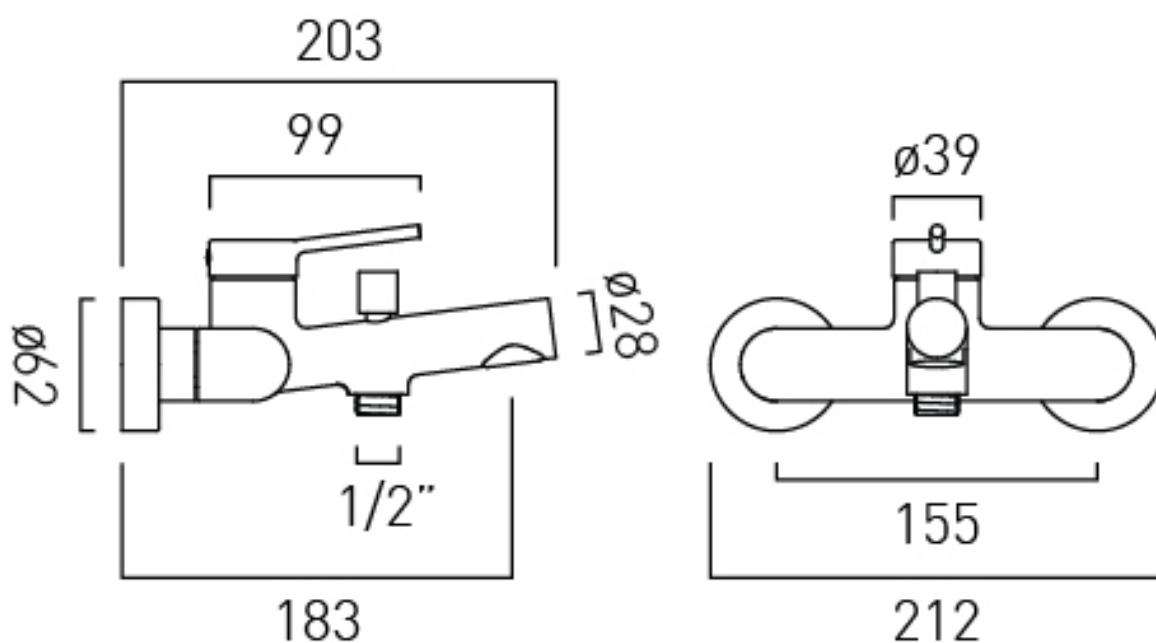
tel: 01934 744466
email: sales@vado.com
www.vado.com

WHERE INSPIRATION FLOWS
TAPS | SHOWERS | FURNITURE



TECHNICAL DRAWING

COLLECTION: SAFARI
PRODUCT CODE: SAF-123-MB



tel: 01934 744466
email: sales@vado.com
www.vado.com

WHERE INSPIRATION FLOWS
TAPS | SHOWERS | FURNITURE

