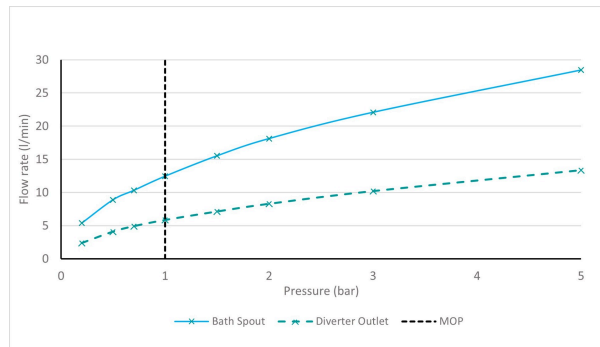


# SPECIFICATION SHEET

COLLECTION: SAFARI  
PRODUCT CODE: SAF-123-PEW



The flow rate displayed is calculated using ideal system conditions. This result should only be taken as an indication as the flow rate may vary depending on the specific in-situ configuration.

## TAP TYPE

Bath Shower Mixer

## PLUMBING SYSTEM SUITABILITY

Pumped System, Combination Boiler, Pressurised System

## HANDLES

Single Lever

## MATERIAL

Brass

## MOUNTING

Wall Mounted

## WITH INTEGRATED DIVERTER

Yes

## WITH EASY-FIT BRACKETS

No

## WITH SHOWER KIT

No

## WITH SWIVEL SPOUT

with Fixed Spout

tel: 01934 744466  
email: sales@vado.com  
www.vado.com

WHERE INSPIRATION FLOWS  
TAPS | SHOWERS | FURNITURE



# SPECIFICATION SHEET

COLLECTION: SAFARI  
PRODUCT CODE: SAF-123-PEW

## WITH THERMOSTATIC TECHNOLOGY

No

## FOR USE WITH BATH FILLER WASTE AND OVERFLOW

No

## MINIMUM OPERATING PRESSURE

1.0 Bar MP

## MAXIMUM OPERATING PRESSURE

5.0 Bar HP

## WITH BATH SPOUT

Yes

## WITH AIR-INJECTION TECHNOLOGY

No

## WITH WATER FLOW STRAIGHTENER

Yes

## WITH WATER FLOW AERATOR

No

## CONNECTIONS / FITTINGS

2 x 1/2" to 3/4" threaded offset connectors

## SPARE PARTS

Ceramic cartridge C-007-N35

## STYLE

Round

## FINISH

Pewter



# SPECIFICATION SHEET

COLLECTION: SAFARI  
PRODUCT CODE: SAF-123-PEW

## COLLECTION NAME

Safari

## GUARANTEE

10 Year Guarantee

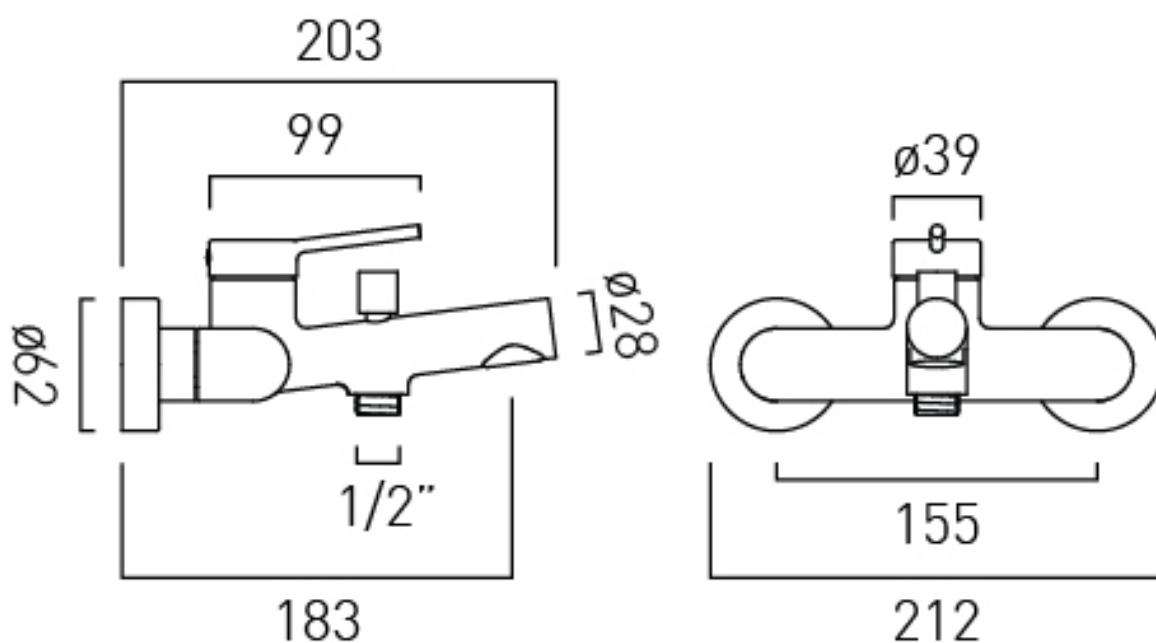
tel: 01934 744466  
email: [sales@vado.com](mailto:sales@vado.com)  
[www.vado.com](http://www.vado.com)

WHERE INSPIRATION FLOWS  
TAPS | SHOWERS | FURNITURE



# TECHNICAL DRAWING

COLLECTION: SAFARI  
PRODUCT CODE: SAF-123-PEW



tel: 01934 744466  
email: sales@vado.com  
www.vado.com

WHERE INSPIRATION FLOWS  
TAPS | SHOWERS | FURNITURE

