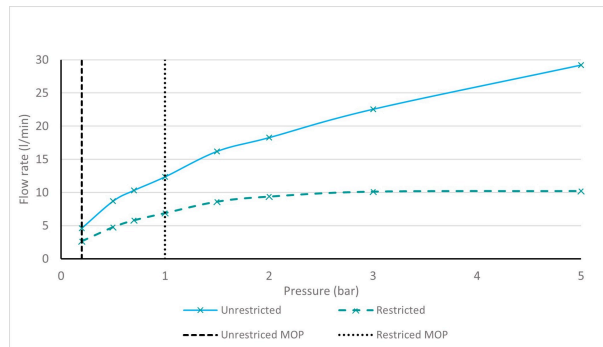


SPECIFICATION SHEET

COLLECTION: SAFARI

PRODUCT CODE: SAF-HEAD-320D-PEW



The flow rate displayed is calculated using ideal system conditions. This result should only be taken as an indication as the flow rate may vary depending on the specific in-situ configuration.

SHOWER TYPE

Shower Head

PLUMBING SYSTEM SUITABILITY

Gravity System, Pumped System, Combination Boiler, Pressurised System

STYLE

Round

CONNECTIONS / FITTINGS

1/2" female inlet

WITH AIR-INJECTION TECHNOLOGY

No

FUNCTIONS

Single Function

RUB-CLEAN NOZZLES

Yes

SELF-CLEANING

No

WITH SHOWER ARM

None

tel: 01934 744466
email: sales@vado.com
www.vado.com

WHERE INSPIRATION FLOWS
TAPS | SHOWERS | FURNITURE



SPECIFICATION SHEET

COLLECTION: SAFARI

PRODUCT CODE: SAF-HEAD-320D-PEW

SHOWER HEAD SIZE

320mm (12.6")

MATERIAL

Brass

COLLECTION NAME

Safari

FINISH

Pewter

MINIMUM OPERATING PRESSURE

0.2 Bar LP

MAXIMUM OPERATING PRESSURE

5.0 Bar HP

GUARANTEE

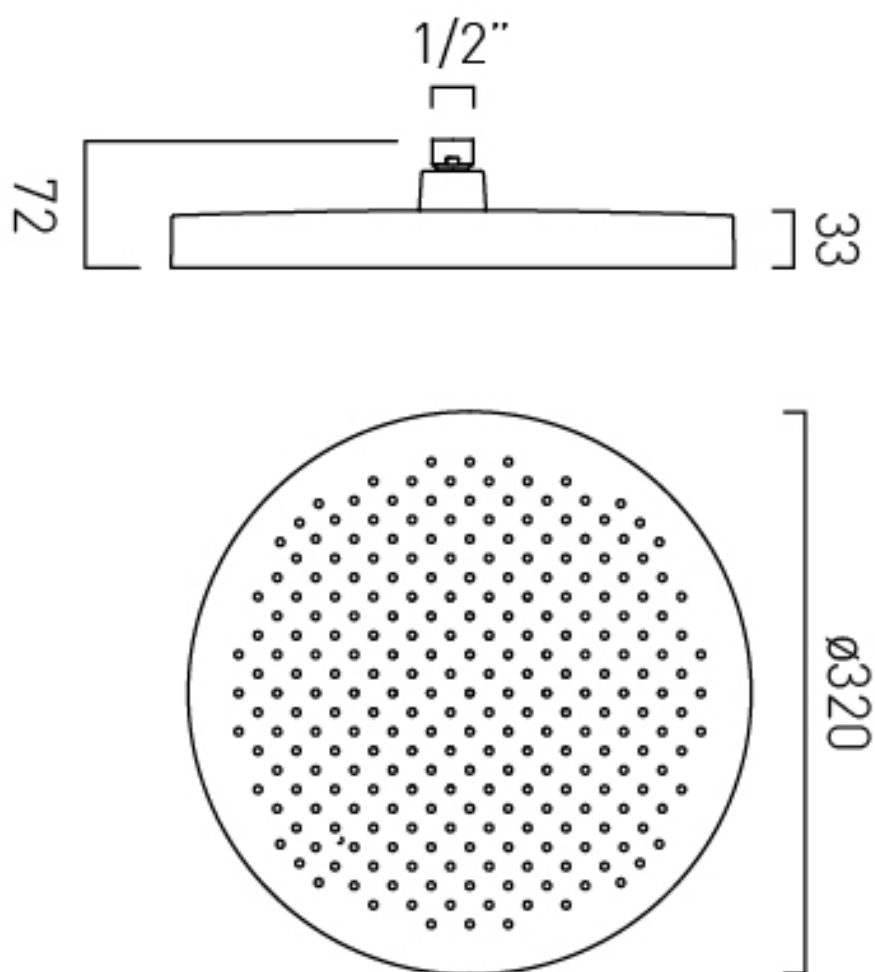
10 Year Guarantee



TECHNICAL DRAWING

COLLECTION: SAFARI

PRODUCT CODE: SAF-HEAD-320D-PEW



tel: 01934 744466
email: sales@vado.com
www.vado.com

WHERE INSPIRATION FLOWS
TAPS | SHOWERS | FURNITURE

