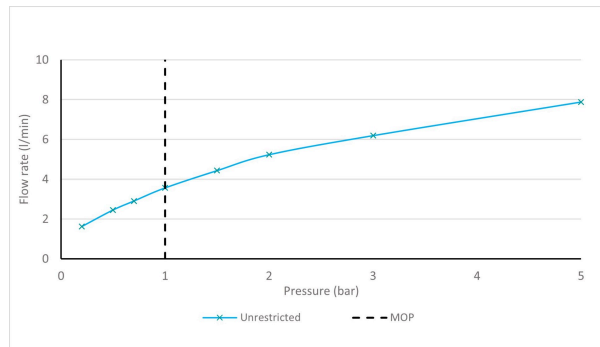


# SPECIFICATION SHEET

COLLECTION: SAFARI  
PRODUCT CODE: SAF-102-CP



The flow rate displayed is calculated using ideal system conditions. This result should only be taken as an indication as the flow rate may vary depending on the specific in-situ configuration.

## TAP TYPE

Basin Mixer

## FINISH

Chrome

## COLLECTION NAME

Safari

## GUARANTEE

15 Year Guarantee

## PLUMBING SYSTEM SUITABILITY

Pumped System, Combination Boiler, Pressurised System

## MINIMUM OPERATING PRESSURE

1.0 Bar MP

## MAXIMUM OPERATING PRESSURE

5.0 Bar HP

## MATERIAL

Brass

## HANDLES

2 Handle

tel: 01934 744466  
email: [sales@vado.com](mailto:sales@vado.com)  
[www.vado.com](http://www.vado.com)

WHERE INSPIRATION FLOWS  
TAPS | SHOWERS | FURNITURE



# SPECIFICATION SHEET

COLLECTION: SAFARI  
PRODUCT CODE: SAF-102-CP

## MOUNTING

Deck Mounted

## WASTE

None (Smooth Bodied)

## RECOMMENDED FLOW REGULATOR

5l/m flow regulator as standard

## WITH ECOTURN COLD START TECHNOLOGY

No

## WITH WATER FLOW STRAIGHTENER

No

## WITH SWIVEL SPOUT

with Swivel Spout

## WITH WATER FLOW AERATOR

Yes

## CONNECTIONS / FITTINGS

2 x 1/2" x 1/2" flexipipe connections. 2 x 1/2" male inlets.

## WALL HOLE DRILL DIAMETER

Spout: 45-55mm. Handle: 40-50mm

## DECK HOLE DRILL DIAMETER

Spout: 30mm. Valve: 30mm.

## SPARE PARTS

Cold ceramic cartridge: C-206-RTC. Hot ceramic cartridge: C-206-LTC.

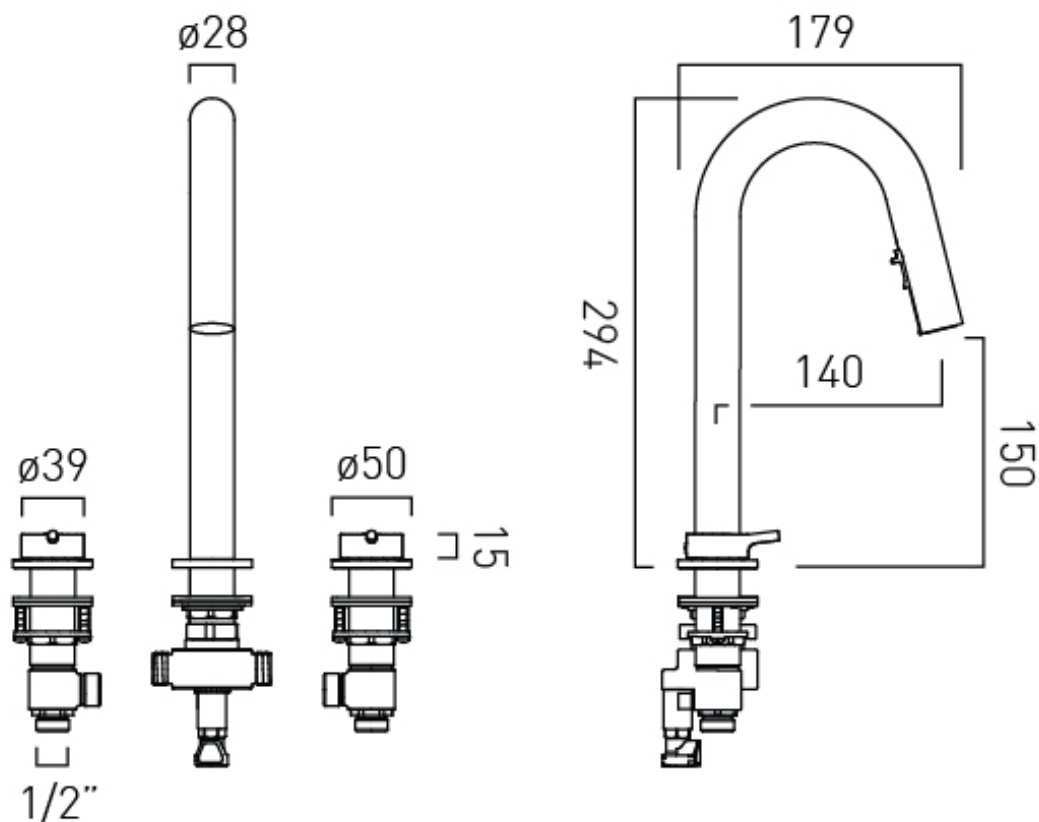
## STYLE

Round, Lever Handles



# TECHNICAL DRAWING

COLLECTION: SAFARI  
PRODUCT CODE: SAF-102-CP



tel: 01934 744466  
email: sales@vado.com  
www.vado.com

WHERE INSPIRATION FLOWS  
TAPS | SHOWERS | FURNITURE

