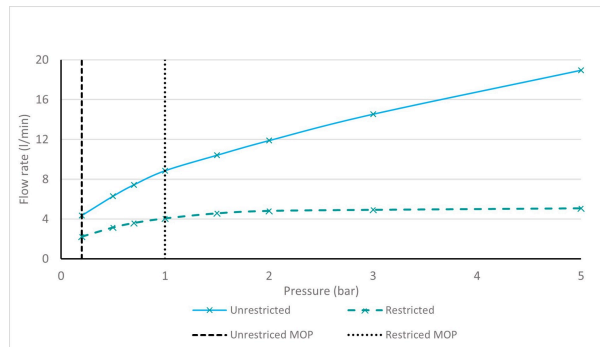
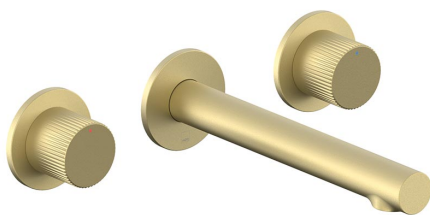


# SPECIFICATION SHEET

COLLECTION: SAFARI  
PRODUCT CODE: SAF-209-SBR



The flow rate displayed is calculated using ideal system conditions. This result should only be taken as an indication as the flow rate may vary depending on the specific in-situ configuration.

## TAP TYPE

Basin Mixer

## FINISH

Satin Brass

## COLLECTION NAME

Safari

## GUARANTEE

10 Year Guarantee

## PLUMBING SYSTEM SUITABILITY

Pumped System, Combination Boiler, Pressurised System

## MINIMUM OPERATING PRESSURE

1.0 Bar MP

## MAXIMUM OPERATING PRESSURE

5.0 Bar HP

## MATERIAL

Brass

## HANDLES

2 Handle

tel: 01934 744466  
email: [sales@vado.com](mailto:sales@vado.com)  
[www.vado.com](http://www.vado.com)

WHERE INSPIRATION FLOWS  
TAPS | SHOWERS | FURNITURE



# SPECIFICATION SHEET

COLLECTION: SAFARI  
PRODUCT CODE: SAF-209-SBR

## MOUNTING

Wall Mounted

## MIN-MAX WALL MOUNT

Min: 59mm. Max: 78mm.

## INSTALLATION TOLERANCES

Spout: min: 158mm. Max: 206mm

## WASTE

None (Smooth Bodied)

## RECOMMENDED FLOW REGULATOR

5l/m flow regulator as standard

## WITH ECOTURN COLD START TECHNOLOGY

No

## WITH WATER FLOW STRAIGHTENER

No

## WITH SWIVEL SPOUT

with Fixed Spout

## WITH WATER FLOW AERATOR

Yes

## CONNECTIONS / FITTINGS

2 x 1/2" female inlets

## WALL HOLE DRILL DIAMETER

Spout: 45-55mm. Handle: 40-50mm

## SPARE PARTS

Cold ceramic cartridge: C-302-RTC. Hot ceramic cartridge: C-302-LTC. Tile-to-mortar guide included.

tel: 01934 744466  
email: sales@vado.com  
www.vado.com

WHERE INSPIRATION FLOWS  
TAPS | SHOWERS | FURNITURE



# SPECIFICATION SHEET

COLLECTION: SAFARI  
PRODUCT CODE: SAF-209-SBR

STYLE

Round

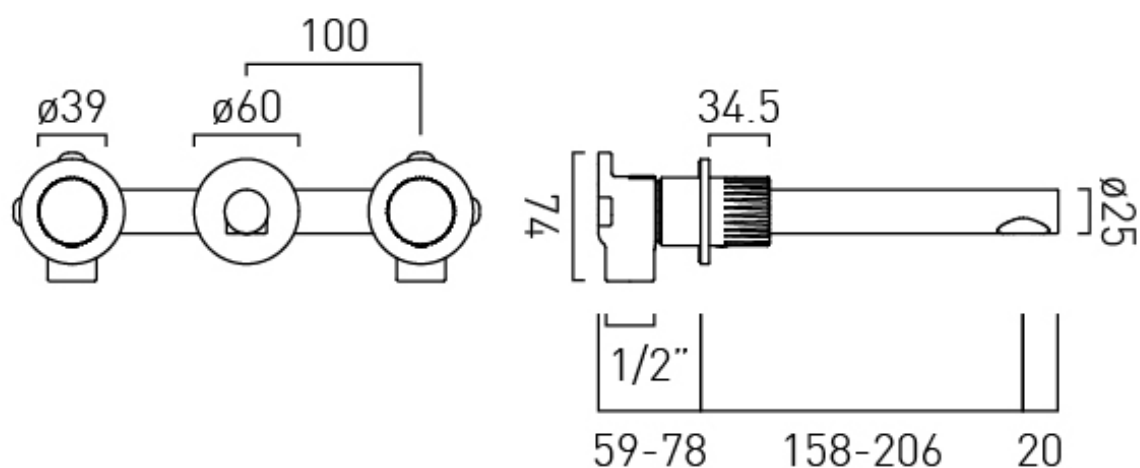
tel: 01934 744466  
email: [sales@vado.com](mailto:sales@vado.com)  
[www.vado.com](http://www.vado.com)

WHERE INSPIRATION FLOWS  
TAPS | SHOWERS | FURNITURE



# TECHNICAL DRAWING

COLLECTION: SAFARI  
PRODUCT CODE: SAF-209-SBR



tel: 01934 744466  
email: sales@vado.com  
www.vado.com

WHERE INSPIRATION FLOWS  
TAPS | SHOWERS | FURNITURE

