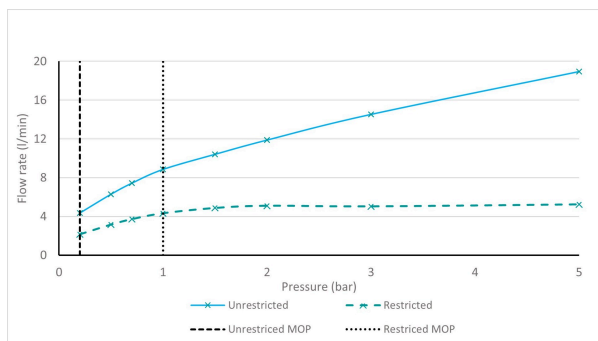


SPECIFICATION SHEET

COLLECTION: SAFARI
PRODUCT CODE: SAF-201-LP-MB



The flow rate displayed is calculated using ideal system conditions. This result should only be taken as an indication as the flow rate may vary depending on the specific in-situ configuration.

TAP TYPE

Basin Mixer

FINISH

Matt Black

COLLECTION NAME

Safari

GUARANTEE

10 Year Guarantee

PLUMBING SYSTEM SUITABILITY

Gravity System, Pumped System, Combination Boiler, Pressurised System

MINIMUM OPERATING PRESSURE

0.2 Bar LP

MAXIMUM OPERATING PRESSURE

5.0 Bar HP

MATERIAL

Brass

HANDLES

2 Handle

tel: 01934 744466
email: sales@vado.com
www.vado.com

WHERE INSPIRATION FLOWS
TAPS | SHOWERS | FURNITURE



SPECIFICATION SHEET

COLLECTION: SAFARI
PRODUCT CODE: SAF-201-LP-MB

MOUNTING

Deck Mounted

WASTE

None (Smooth Bodied)

WITH ECOTURN COLD START TECHNOLOGY

No

WITH WATER FLOW STRAIGHTENER

No

WITH SWIVEL SPOUT

with Fixed Spout

WITH WATER FLOW AERATOR

Yes

CONNECTIONS / FITTINGS

2 x 1/2" x 1/2" 400mm flexipipe connections. 1/2" male x 1/2" female Y connection.

DECK HOLE DRILL DIAMETER

Spout: 35mm. Valve: 30mm

SPARE PARTS

Cold ceramic cartridge: C-206-RTC. Hot ceramic cartridge: C-206-LTC.

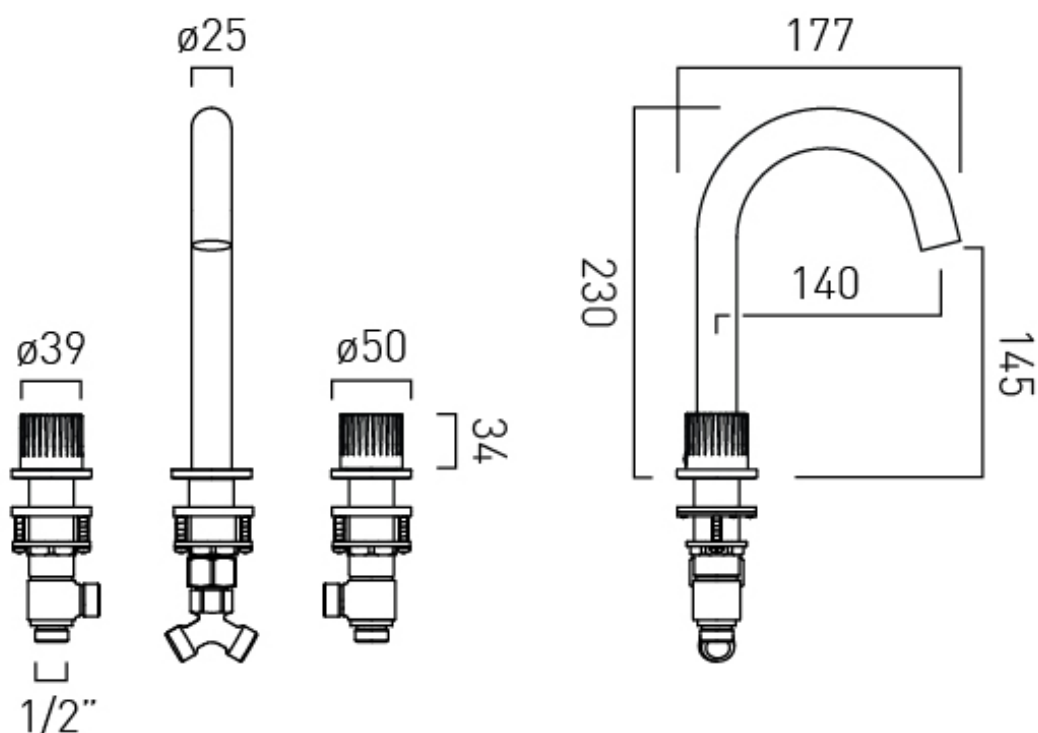
STYLE

Round



TECHNICAL DRAWING

COLLECTION: SAFARI
PRODUCT CODE: SAF-201-LP-MB



tel: 01934 744466
email: sales@vado.com
www.vado.com

WHERE INSPIRATION FLOWS
TAPS | SHOWERS | FURNITURE

