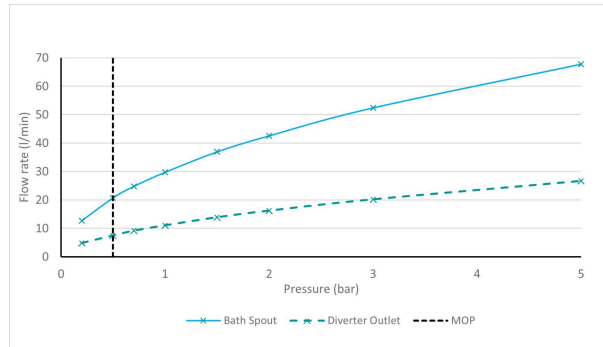


# SPECIFICATION SHEET

COLLECTION: SAFARI  
PRODUCT CODE: SAF-130+K-CP



The flow rate displayed is calculated using ideal system conditions. This result should only be taken as an indication as the flow rate may vary depending on the specific in-situ configuration.

## TAP TYPE

Bath Shower Mixer

## PLUMBING SYSTEM SUITABILITY

Pressurised System

## HANDLES

2 Handle

## MOUNTING

Deck Mounted

## WITH INTEGRATED DIVERTER

No

## WITH EASY-FIT BRACKETS

No

## WITH SHOWER KIT

Yes

## WITH THERMOSTATIC TECHNOLOGY

No

## FOR USE WITH BATH FILLER WASTE AND OVERFLOW

No

tel: 01934 744466  
email: sales@vado.com  
www.vado.com

WHERE INSPIRATION FLOWS  
TAPS | SHOWERS | FURNITURE



# SPECIFICATION SHEET

COLLECTION: SAFARI  
PRODUCT CODE: SAF-130+K-CP

## MINIMUM OPERATING PRESSURE

0.5 Bar LP

## MAXIMUM OPERATING PRESSURE

5.0 Bar HP

## RECOMMENDED FLOW REGULATOR

6 l/m optional flow regulator included (handset)

## WITH BATH SPOUT

No

## WITH AIR-INJECTION TECHNOLOGY

No

## HOSE

150cm smooth hose

## WITH WATER FLOW STRAIGHTENER

No

## WITH WATER FLOW AERATOR

No

## CONNECTIONS / FITTINGS

2 x 3/4" 48.5mm male threaded inlet connections, cold ceramic cartridge C-302-RTC hot ceramic cartridge C-302-LTC

## DECK HOLE DRILL DIAMETER

2 x 28-38mm

## STYLE

Round

## FINISH

Chrome

# SPECIFICATION SHEET

COLLECTION: SAFARI  
PRODUCT CODE: SAF-130+K-CP

## COLLECTION NAME

Safari

## GUARANTEE

15 Year Guarantee

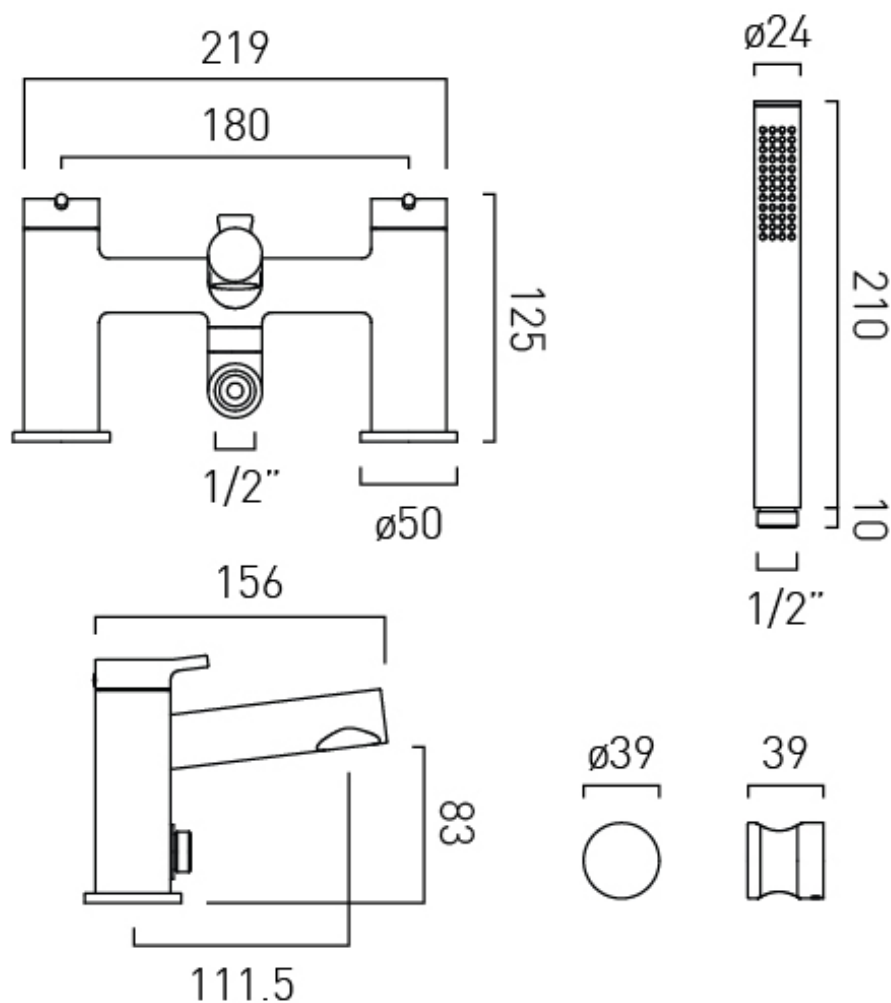
tel: 01934 744466  
email: [sales@vado.com](mailto:sales@vado.com)  
[www.vado.com](http://www.vado.com)

WHERE INSPIRATION FLOWS  
TAPS | SHOWERS | FURNITURE



# TECHNICAL DRAWING

COLLECTION: SAFARI  
PRODUCT CODE: SAF-130+K-CP



tel: 01934 744466  
email: sales@vado.com  
www.vado.com

WHERE INSPIRATION FLOWS  
TAPS | SHOWERS | FURNITURE

