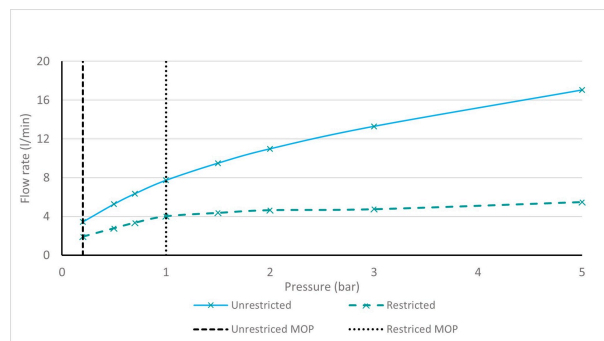


SPECIFICATION SHEET

COLLECTION: SAFARI

PRODUCT CODE: SAF-200M/CC-CP



The flow rate displayed is calculated using ideal system conditions. This result should only be taken as an indication as the flow rate may vary depending on the specific in-situ configuration.

TAP TYPE

Basin Mixer

FINISH

Chrome

COLLECTION NAME

Safari

GUARANTEE

15 Year Guarantee

BASIN MIXER SIZE

Mini Mono Basin Mixer

PLUMBING SYSTEM SUITABILITY

Pumped System, Combination Boiler, Pressurised System

MINIMUM OPERATING PRESSURE

1.0 Bar MP

MAXIMUM OPERATING PRESSURE

5.0 Bar HP

MATERIAL

Brass

tel: 01934 744466
email: sales@vado.com
www.vado.com

WHERE INSPIRATION FLOWS
TAPS | SHOWERS | FURNITURE



SPECIFICATION SHEET

COLLECTION: SAFARI
PRODUCT CODE: SAF-200M/CC-CP

MOUNTING

Deck Mounted

WASTE

Universal Basin Waste

RECOMMENDED FLOW REGULATOR

5L/min flow regulator fitted as standard

WITH ECOTURN COLD START TECHNOLOGY

No

WITH WATER FLOW STRAIGHTENER

Yes

WITH SWIVEL SPOUT

with Fixed Spout

WITH WATER FLOW AERATOR

No

CONNECTIONS / FITTINGS

2 1/2" 450mm flexipipe connection

DECK HOLE DRILL DIAMETER

35mm

SPARE PARTS

Ceramic cartridge C-001-A30

STYLE

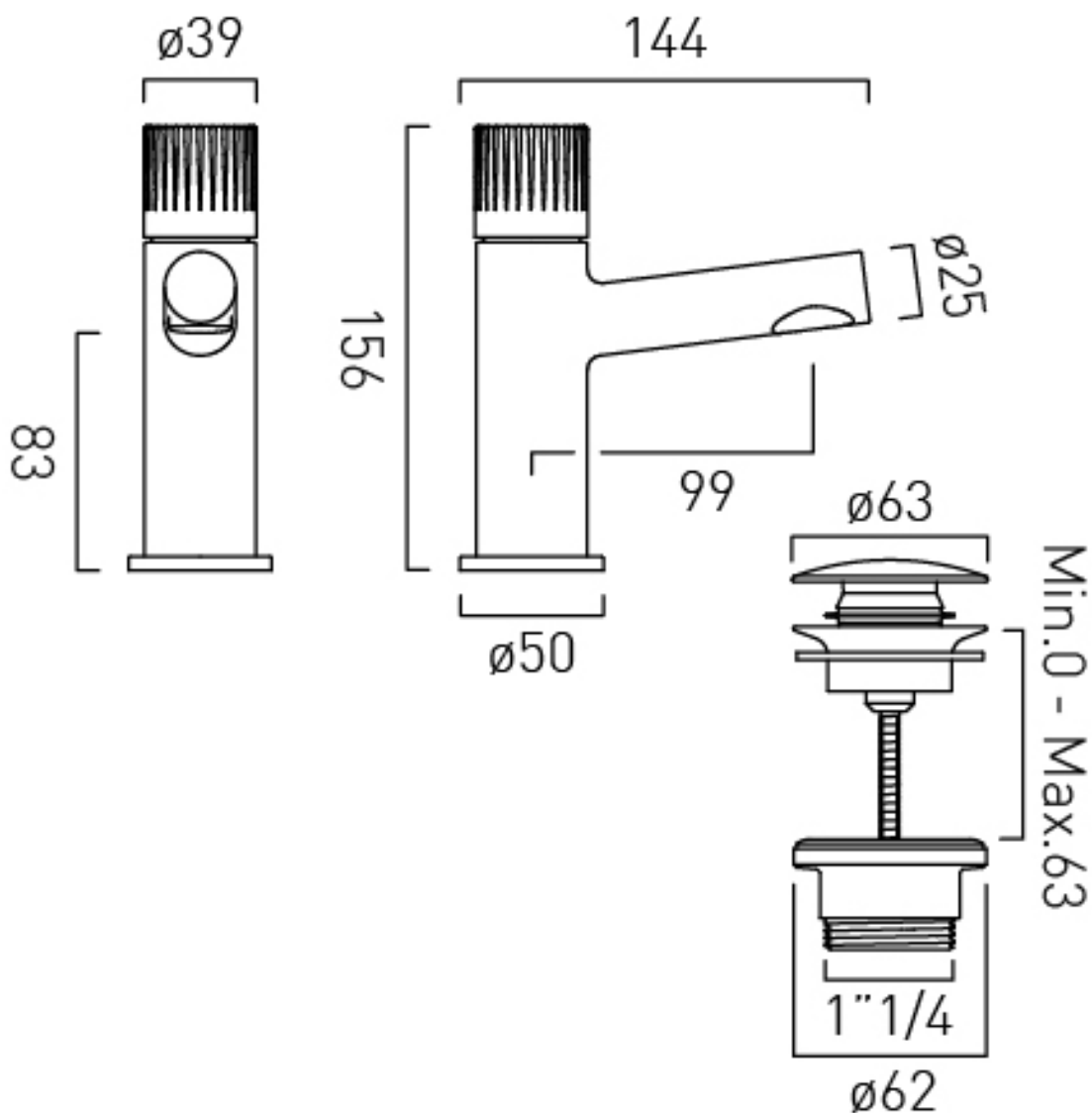
Round

NOTES

Cold-start technology

TECHNICAL DRAWING

COLLECTION: SAFARI
PRODUCT CODE: SAF-200M/CC-CP



tel: 01934 744466
email: sales@vado.com
www.vado.com

WHERE INSPIRATION FLOWS
TAPS | SHOWERS | FURNITURE

