

# SPECIFICATION SHEET

COLLECTION: VELO

PRODUCT CODE: VEL-149T-RRK-RO-CP



## SHOWER TYPE

Shower Column

## WITH SHOWER KIT

No

## WITH AIR-INJECTION TECHNOLOGY

Yes

## VALVE TYPE

Exposed

## WITH CROSS-SPRAY TECHNOLOGY

No

## WITH EASY-FIT BRACKETS

Yes

## ADJUSTABLE FIXING FOR EASY RETRO FIT

No

## WITH INTEGRATED DIVERTER

Yes

## SHOWER HEAD SIZE

250mm

tel: 01934 744466  
email: [sales@vado.com](mailto:sales@vado.com)  
[www.vado.com](http://www.vado.com)

WHERE INSPIRATION FLOWS  
TAPS | SHOWERS | FURNITURE



# SPECIFICATION SHEET

COLLECTION: VELO

PRODUCT CODE: VEL-149T-RRK-RO-CP

## WITH THERMOSTATIC TECHNOLOGY

Yes

## SHOWER PACKAGE DESCRIPTION

- Round thermostatic shower valve with integrated diverter
- Rigid riser with single function shower head and shower handset
- 250mm round shower head
- 210mm height adjustment tolerance: min 1080mm – max 1290mm
- 30mm depth adjustment tolerance: min 60mm – max 90mm
- Offset connectors and easy-fit brackets included
- Rub clean nozzles
- Twist to operate slider

## WITH WATER FLOW STRAIGHTENER

No

## HANDLES

2 Handle

## SPARE PARTS

Diverter cartridge C-801-27/2X

## STYLE

Round

## MOUNTING

Wall Mounted

## PLUMBING SYSTEM SUITABILITY

Pumped System

## COLLECTION NAME

Velo

## FINISH

Chrome

## MINIMUM OPERATING PRESSURE

1.0 Bar MP

tel: 01934 744466  
email: sales@vado.com  
www.vado.com

WHERE INSPIRATION FLOWS  
TAPS | SHOWERS | FURNITURE



# SPECIFICATION SHEET

COLLECTION: VELO

PRODUCT CODE: VEL-149T-RRK-RO-CP

MAXIMUM OPERATING PRESSURE

5.0 Bar HP

GUARANTEE

15 Year Guarantee

tel: 01934 744466  
email: [sales@vado.com](mailto:sales@vado.com)  
[www.vado.com](http://www.vado.com)

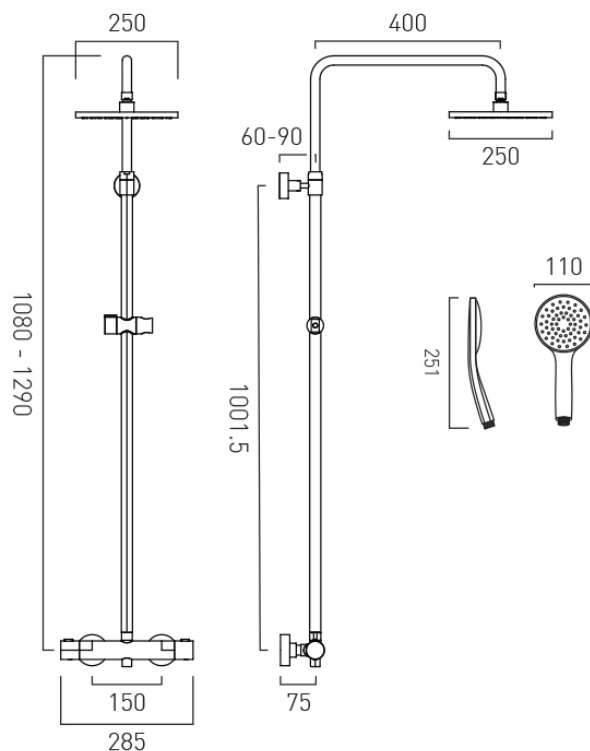
WHERE INSPIRATION FLOWS  
TAPS | SHOWERS | FURNITURE



# TECHNICAL DRAWING

COLLECTION: VELO

PRODUCT CODE: VEL-149T-RRK-RO-CP



tel: 01934 744466  
email: sales@vado.com  
www.vado.com

WHERE INSPIRATION FLOWS  
TAPS | SHOWERS | FURNITURE

