

SPECIFICATION SHEET

COLLECTION: WASTES & FITTINGS
PRODUCT CODE: WG-1389-RO-MB



FINISH

Matt Black

COLLECTION NAME

Wastes & Fittings

GUARANTEE

10 Year Guarantee

TAP TYPE

Wastes and Fittings

PLUMBING SYSTEM SUITABILITY

Pressurised System

CONNECTIONS / FITTINGS

1.1/2" x 16mm threaded outlet connection

INSTALLATION TOLERANCES

Min-max overflow bath thickness 1mm-14mm

STYLE

Round

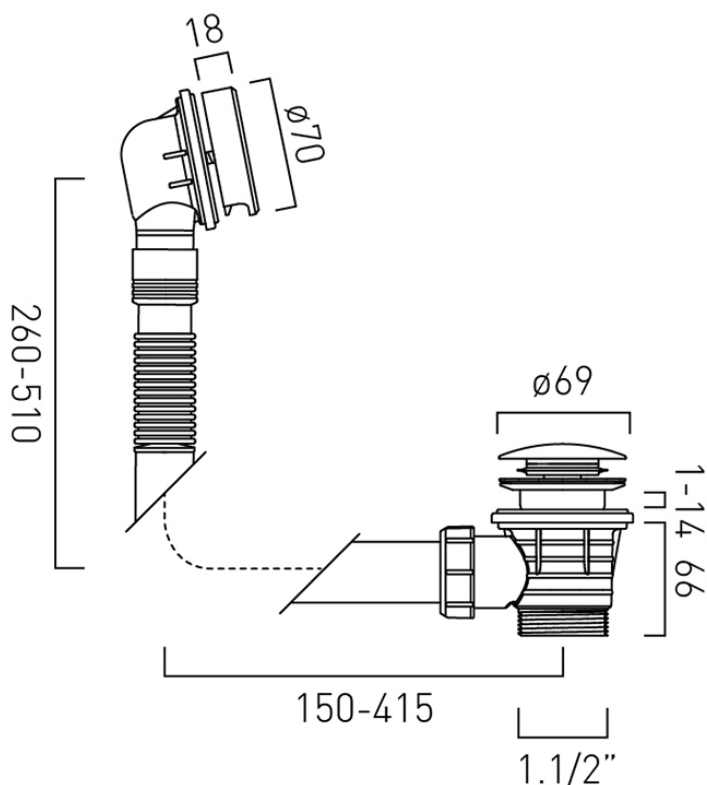
tel: 01934 744466
email: sales@vado.com
www.vado.com

WHERE INSPIRATION FLOWS
TAPS | SHOWERS | FURNITURE



TECHNICAL DRAWING

COLLECTION: WASTES & FITTINGS
PRODUCT CODE: WG-1389-RO-MB



tel: 01934 744466
email: sales@vado.com
www.vado.com

WHERE INSPIRATION FLOWS
TAPS | SHOWERS | FURNITURE

