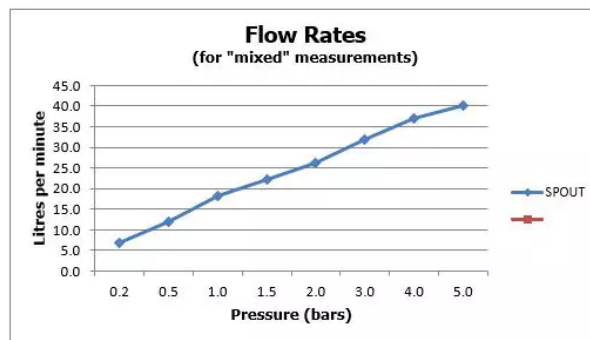


# SPECIFICATION SHEET

COLLECTION: TABLET NOTION

PRODUCT CODE: IND-T128/3-H-NOT-BRZ



The flow rate displayed is calculated using ideal system conditions. This result should only be taken as an indication as the flow rate may vary depending on the specific in-situ configuration.

## SHOWER TYPE

Shower Valve

## VALVE TYPE

Concealed

## ORIENTATION

Horizontal

## NUMBER OF OUTLETS

3 Outlet

## WITH ALL-FLOW FUNCTION

Yes

## WITH INTEGRATED DIVERTER

No

## COMPATIBLE WITH STUDFAST

Yes

## WITH BLEED VALVE FOR SYSTEM FLUSH ON INSTALLATION

No

## WITH SHOWER KIT

No

tel: 01934 744466  
email: [sales@vado.com](mailto:sales@vado.com)  
[www.vado.com](http://www.vado.com)

WHERE INSPIRATION FLOWS  
TAPS | SHOWERS | FURNITURE



# SPECIFICATION SHEET

COLLECTION: TABLET NOTION  
PRODUCT CODE: IND-T128/3-H-NOT-BRZ

## INCLUDES MORTAR / TILE GUARD

Yes

## COMPATIBLE WITH EASY-FIX BRACKETS

No

## WITH THERMOSTATIC TECHNOLOGY

Yes

## INSTALLATION TOLERANCES

min-max wall mount 75-100mm optimum installation depth 87mm

## CONNECTIONS / FITTINGS

2 x 3/4" female inlets 3 x 3/4" female outlets

## SPARE PARTS

thermostatic cartridge V-704-34S diverter cartridge FL-802-33/2MX flow cartridge FL-301-RTC

## MOUNTING

Wall Mounted

## PLUMBING SYSTEM SUITABILITY

Gravity System, Pumped System, Combination Boiler, Pressurised System

## COLLECTION NAME

Tablet Notion

## FINISH

Brushed Bronze

## MINIMUM OPERATING PRESSURE

0.2 Bar LP (Shower) / 1.0 Bar MP (Bath)

## MAXIMUM OPERATING PRESSURE

5.0 Bar HP



# SPECIFICATION SHEET

COLLECTION: TABLET NOTION  
PRODUCT CODE: IND-T128/3-H-NOT-BRZ

GUARANTEE  
15 Year Guarantee

tel: 01934 744466  
email: [sales@vado.com](mailto:sales@vado.com)  
[www.vado.com](http://www.vado.com)

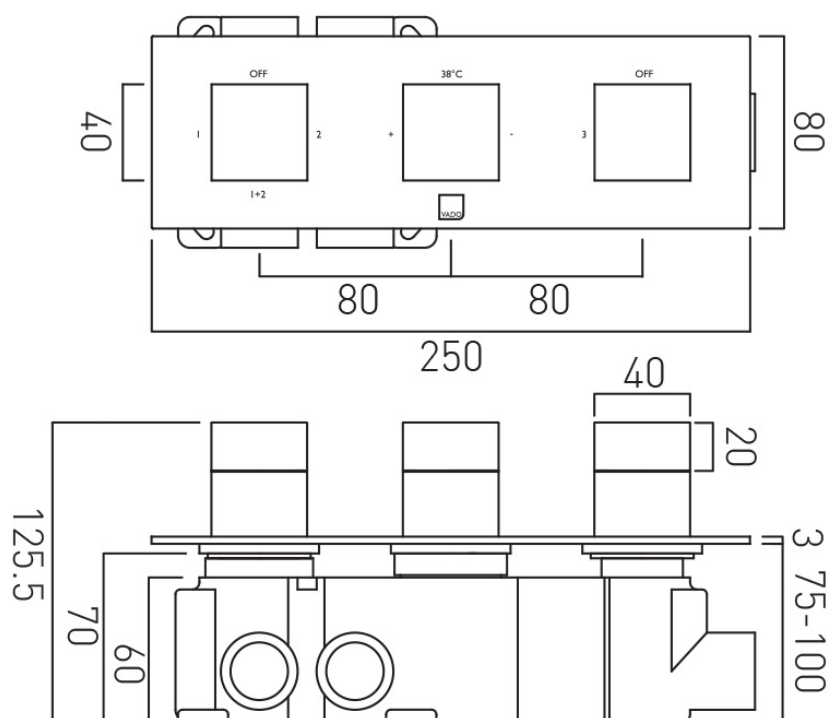
WHERE INSPIRATION FLOWS  
TAPS | SHOWERS | FURNITURE



# TECHNICAL DRAWING

COLLECTION: TABLET NOTION

PRODUCT CODE: IND-T128/3-H-NOT-BRZ



tel: 01934 744466  
email: sales@vado.com  
www.vado.com

WHERE INSPIRATION FLOWS  
TAPS | SHOWERS | FURNITURE

