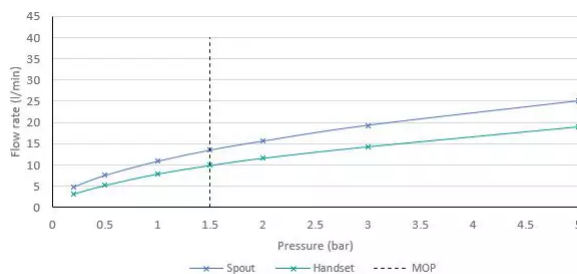
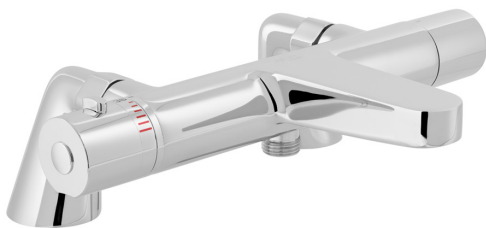


SPECIFICATION SHEET

COLLECTION: SHOWERING SOLUTIONS, SIRKEL
PRODUCT CODE: AX-SIR-131T-CP



The flow rate displayed is calculated using ideal system conditions. This result should only be taken as an indication as the flow rate may vary depending on the specific in-situ configuration.

TAP TYPE

Bath Shower Mixer

PLUMBING SYSTEM SUITABILITY

Pumped System, Combination Boiler, Pressurised System

HANDLES

2 Handle

MOUNTING

Deck Mounted

WITH INTEGRATED DIVERTER

No

WITH EASY-FIT BRACKETS

No

WITH SHOWER KIT

No

WITH THERMOSTATIC TECHNOLOGY

Yes

FOR USE WITH BATH FILLER WASTE AND OVERFLOW

No

tel: 01934 744466
email: sales@vado.com
www.vado.com

WHERE INSPIRATION FLOWS
TAPS | SHOWERS | FURNITURE



SPECIFICATION SHEET

COLLECTION: SHOWERING SOLUTIONS, SIRKEL
PRODUCT CODE: AX-SIR-131T-CP

MINIMUM OPERATING PRESSURE

1.5 Bar MP

MAXIMUM OPERATING PRESSURE

5.0 Bar HP

WITH BATH SPOUT

No

WITH AIR-INJECTION TECHNOLOGY

No

WITH WATER FLOW STRAIGHTENER

Yes

WITH WATER FLOW AERATOR

No

INSTALLATION TOLERANCES

min-max deck mount 28-30mm

CONNECTIONS / FITTINGS

3/4" x 48mm threaded connection on legs

DECK HOLE DRILL DIAMETER

28-34mm

SPARE PARTS

Thermostatic Cartridge C-701-34S Diverter Cartridge C-801-27/2X

FINISH

Chrome

COLLECTION NAME

Showering Solutions, Sirkel

tel: 01934 744466
email: sales@vado.com
www.vado.com

WHERE INSPIRATION FLOWS
TAPS | SHOWERS | FURNITURE



SPECIFICATION SHEET

COLLECTION: SHOWERING SOLUTIONS, SIRKEL
PRODUCT CODE: AX-SIR-131T-CP

GUARANTEE

10 Year Guarantee

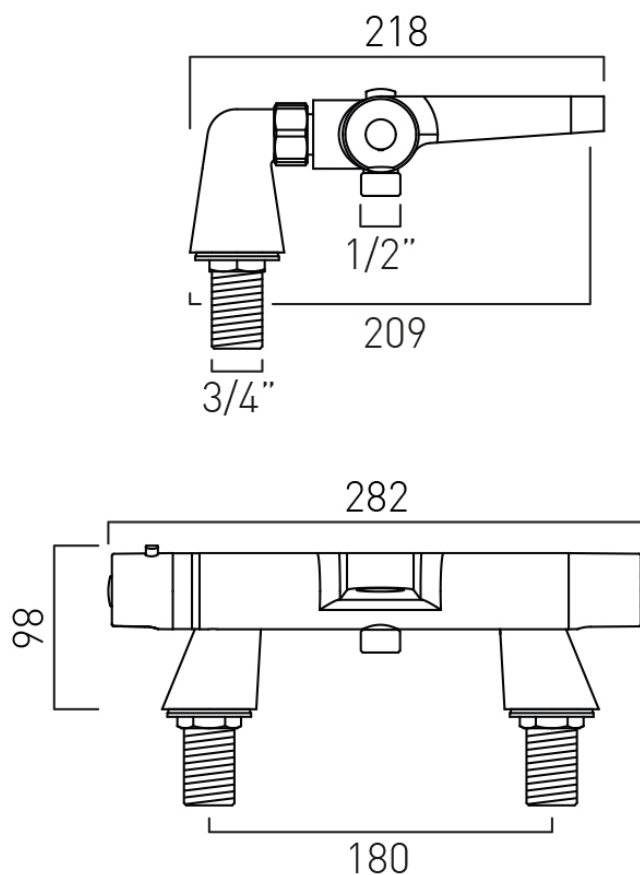
tel: 01934 744466
email: sales@vado.com
www.vado.com

WHERE INSPIRATION FLOWS
TAPS | SHOWERS | FURNITURE



TECHNICAL DRAWING

COLLECTION: SHOWERING SOLUTIONS, SIRKEL
PRODUCT CODE: AX-SIR-131T-CP



tel: 01934 744466
email: sales@vado.com
www.vado.com

WHERE INSPIRATION FLOWS
TAPS | SHOWERS | FURNITURE

