

# SPECIFICATION SHEET

## COLLECTION:

PRODUCT CODE: IND-149RRK-RO-BRN



## DESCRIPTION:

round thermostatic shower valve with integrated diverter  
rigid riser with single function shower head and shower handset  
250mm round shower head  
410mm height adjustment tolerance:  
min 825mm – max 1235mm  
21mm depth adjustment tolerance:  
min 69mm – max 90mm  
offset connectors and easy-fit brackets included  
flow cartridge C-801-33/2P  
thermostatic cartridge V-704-34S  
minimum operating pressure 1.0 bar MP

## FINISH:

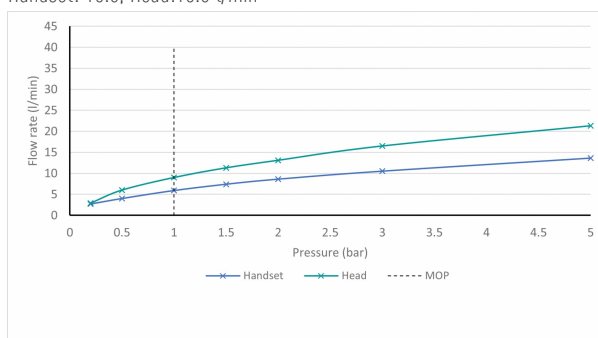
Brushed Nickel

## MINIMUM OPERATING PRESSURE:

1.0 bar MP

## FLOW RATE AT 3.0 BAR FLOW PRESSURE:

Handset: 10.5, Head: 16.5 l/min



tel: 01934 744466  
email: sales@vado.com  
www.vado.com

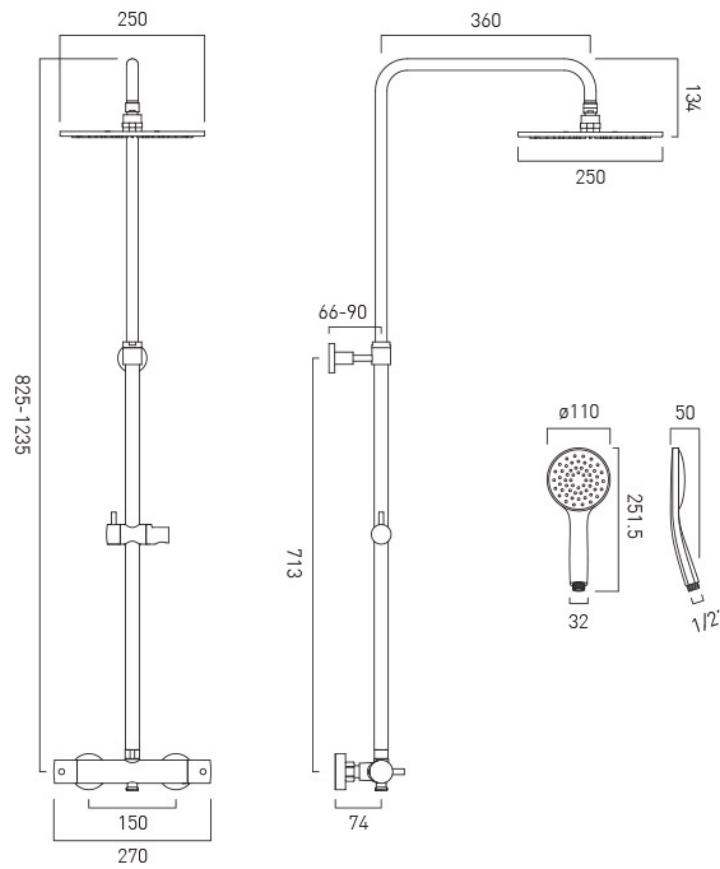
where inspiration flows  
taps | showering | accessories



# TECHNICAL DRAWING

COLLECTION:

PRODUCT CODE: IND-149RRK-RO-BRN



tel: 01934 744466  
email: sales@vado.com  
www.vado.com

**where inspiration flows**  
taps | showering | accessories

