

.....

SPECIFICATION SHEET

COLLECTION: SIRKEL
PRODUCT CODE: AX-SIR-123T-RRK/B-CP



DESCRIPTION:

round exposed thermostatic shower valve with integrated diverter
rigid riser with single function shower head and handset
200mm round shower head
410mm height adjustment tolerance: min 973mm – max 1383mm
20mm depth adjustment tolerance: min 55mm – max 75mm
offset connectors and easy-fit brackets included
diverter cartridge C-801-27/2X
thermostatic cartridge C-701-34S
minimum operating pressure 1.5 bar MP

FINISH:

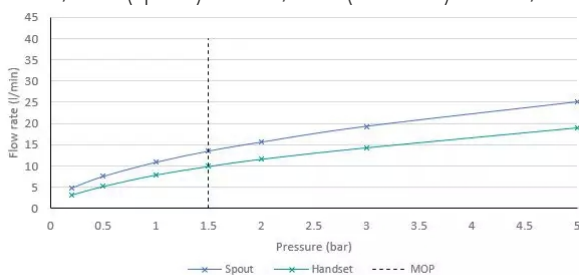
Chrome

MINIMUM OPERATING PRESSURE:

1.5 bar MP

FLOW RATE AT 3.0 BAR FLOW PRESSURE:

19.3 l/min (spout) 14.3 l/min (handset) 15.3 l/min (head)



CONTACT

SALES: 01934 744466

AFTERSALES: 01934 745163

EMAIL: SALES@VADO.COM

WWW.VADO.COM/AXCES

AXCES
by VADO

.....

TECHNICAL DRAWING

COLLECTION: SIRKEL

PRODUCT CODE: AX-SIR-123T-RRK/B-CP

CONTACT

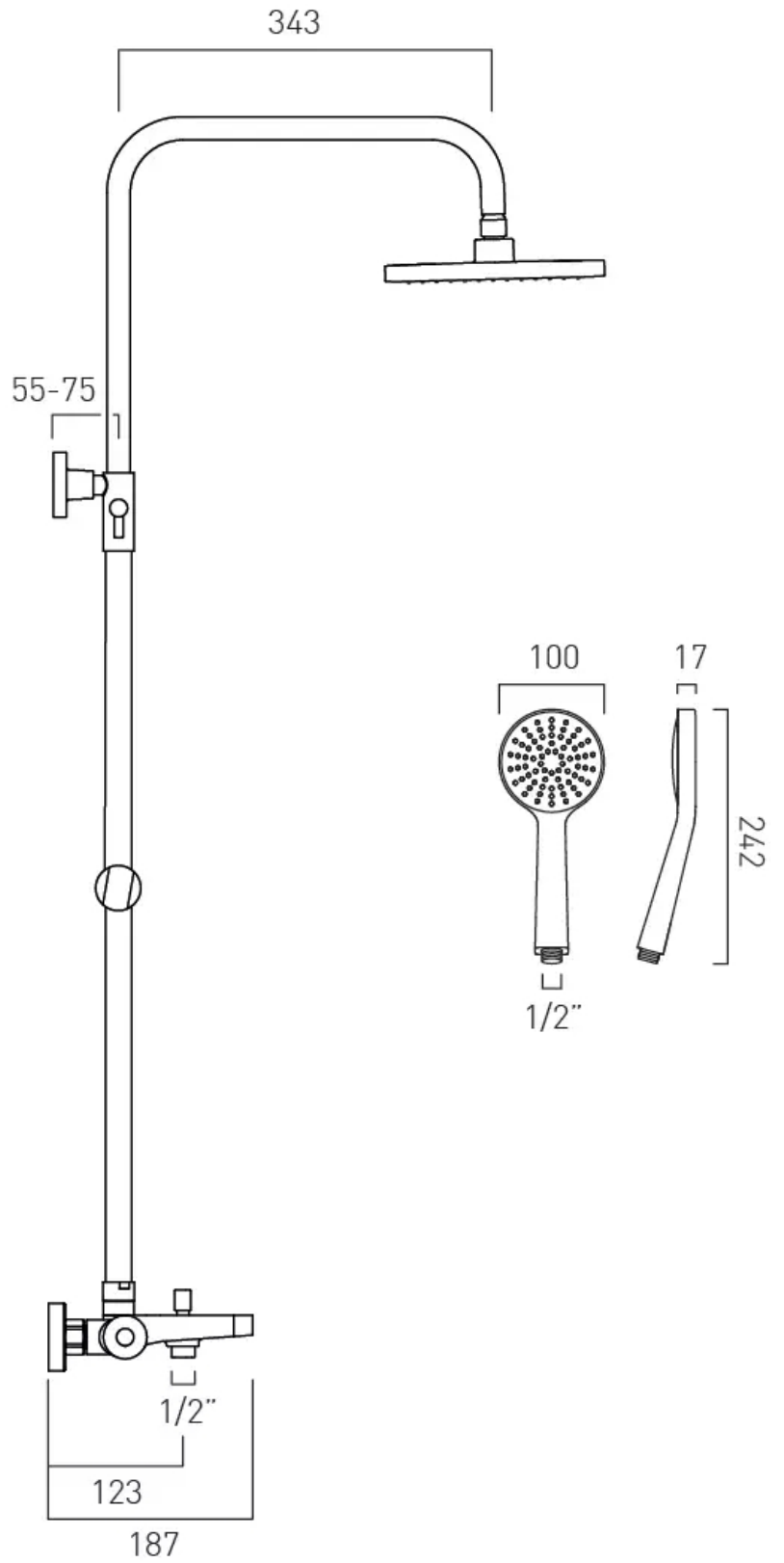
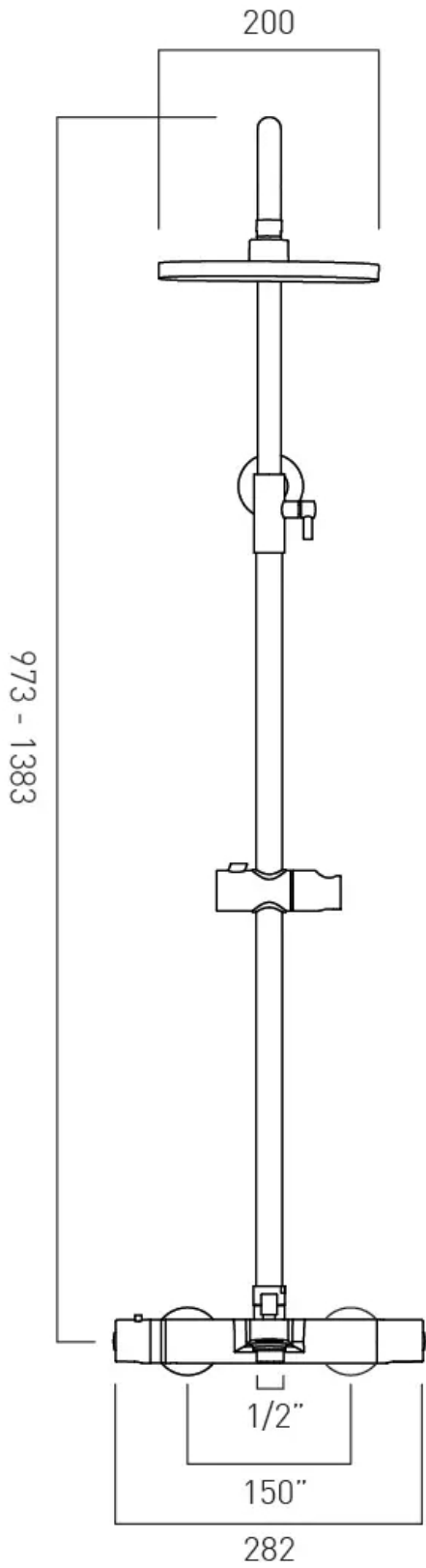
SALES: 01934 744466

AFTERSALES: 01934 745163

EMAIL: SALES@VADO.COM

.....
WWW.VADO.COM/AXCES

AXCES
by VADO



CONTACT

SALES: 01934 744466

AFTERSALES: 01934 745163

EMAIL: SALES@VADO.COM

WWW.VADO.COM/AXCES

