

SPECIFICATION SHEET

COLLECTION: ALTITUDE

PRODUCT CODE: TAB-1753/WO-ALT-CP



DESCRIPTION:

Tablet iO Altitude

- 3 outlet thermostatic shower valve with integrated outlet, handset, hose and all-flow function
 - Nebula 300mm round head and shower arm
 - clic-clac bath filler waste and overflow thermostatic cartridge V-704-34S
 - diverter cartridge FL-802-33/2MX
 - flow cartridge FL-301-RTC
 - minimum operating pressure 1.0 bar MP
- kit comprises:
TAB-128/3WO-ALT-CP
NEB-RO/30-SA-CP
WG-81389-C/P
2 x 3/4" female inlets
2 x 3/4" female outlets, 1 x 1/2" male outlet
includes 3/4" - 1/2" adaptors
supplied with mortar/tile guard
min-max wall mount 75-100mm
optimum installation depth 87mm

tel: 01934 744466

email: sales@vado.com

www.vado.com

FINISH:

Chrome

FLOW REGULATOR:

FR-SHOWER/9-C/P (handset) FR-SHOWER/9-PLA (head)

MINIMUM OPERATING PRESSURE:

1.0 bar MP



where inspiration flows

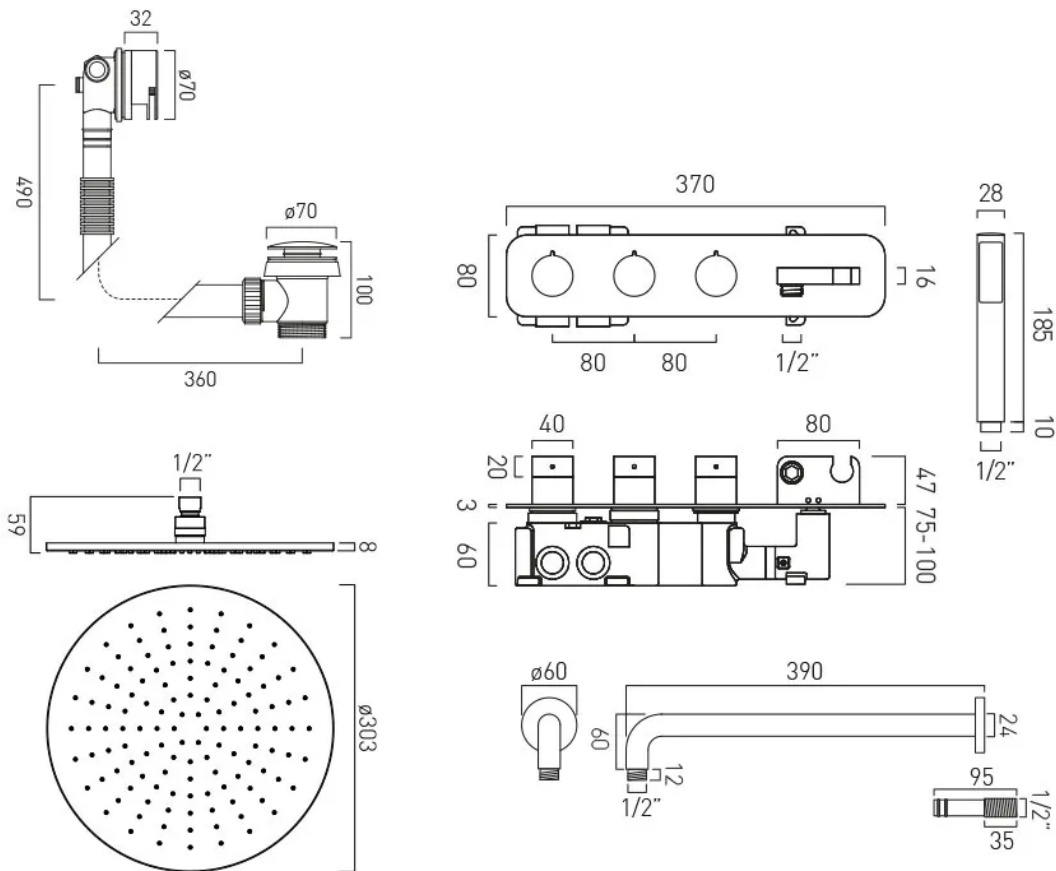
taps | showering | accessories



TECHNICAL DRAWING

COLLECTION: ALTITUDE

PRODUCT CODE: TAB-1753/WO-ALT-CP



tel: 01934 744466
email: sales@vado.com
www.vado.com

where inspiration flows
taps | showering | accessories

