

SPECIFICATION SHEET

COLLECTION: SENSORI

PRODUCT CODE: TCH-1720/LP-EM-CP



DESCRIPTION:

minimum operating pressure 0.2 bar LP

kit comprises:

TCH-3500

EVO-MFSRK/B-C/P

WG-SATURN2/SA-C/P

ELE-OUTLET-C/P

installation note:

- 20mm minimum depth tolerance with a 19mm

cable inlet diameter

- 10m wiring from CPU for flexible installation

- not suitable for bath fill

- not recommended for use with shower heads

over 350mm in diameter

- internal pump improves the flow through the processor

not through the outlet installed

- consideration needs to be made with outlet selection

e.g if installing into a system with 0.2 bar pressure look

out for a showering item with the same operating

pressure rating

FINISH:

Chrome

MINIMUM OPERATING PRESSURE:

0.2 bar LP



tel: 01934 744466

email: sales@vado.com

www.vado.com

where inspiration flows

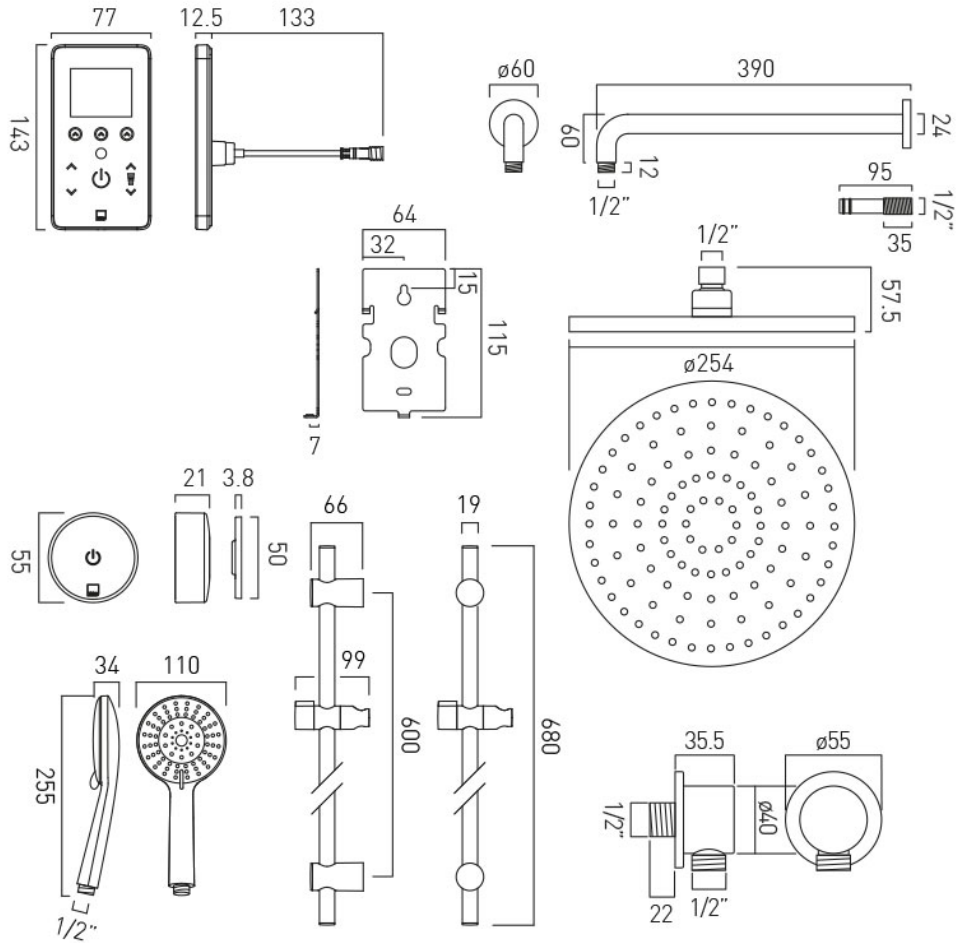
taps | showering | accessories



TECHNICAL DRAWING

COLLECTION: SENSORI

PRODUCT CODE: TCH-1720/LP-EM-CP



tel: 01934 744466
email: sales@vado.com
www.vado.com

where inspiration flows
taps | showering | accessories

