

SPECIFICATION SHEET

COLLECTION: VALA
PRODUCT CODE: AX-VAL-130+K-CP



DESCRIPTION:

2 hole bath shower mixer
deck mounted
with Neoperl water flow straightener
with Sirkel single function shower kit
cold ceramic cartridge H-301-RTC
hot ceramic cartridge H-301-LTC
2 x 3/4" male threaded connections
deck mount drill hole diameter
28-30mm
minimum operating pressure 0.2 bar
LP

FINISH:

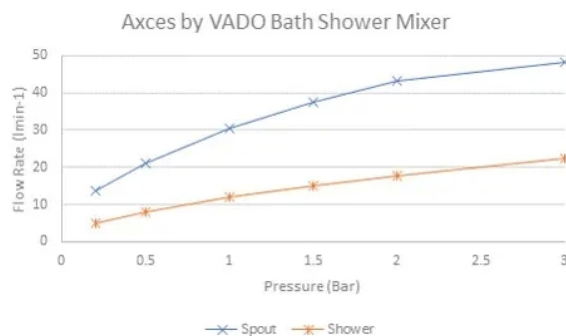
Chrome

MINIMUM OPERATING PRESSURE:

0.2 bar LP

FLOW RATE AT 3.0 BAR FLOW PRESSURE:

Bath: 23.3 l/m, Shower: 15.5 l/m



CONTACT

SALES: 01934 744466

AFTERSALES: 01934 745163

EMAIL: SALES@VADO.COM

WWW.VADO.COM/AXCES

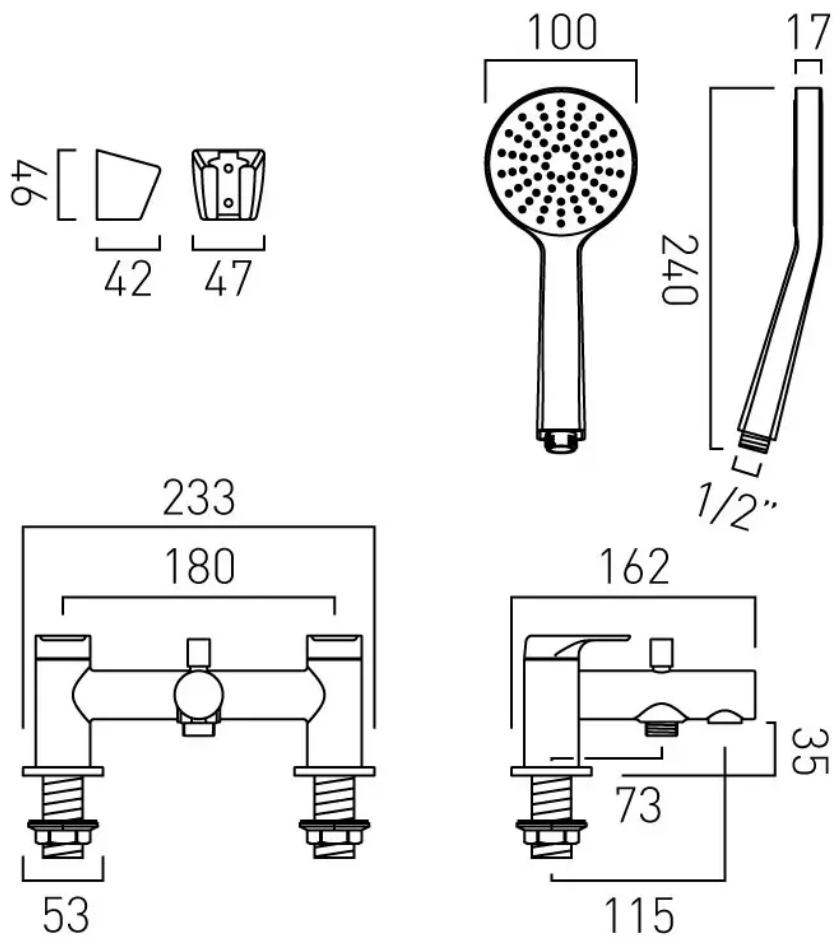
AXCES
by VADO

.....

TECHNICAL DRAWING

COLLECTION: VALA

PRODUCT CODE: AX-VAL-130+K-CP



CONTACT

SALES: 01934 744466

AFTERSALES: 01934 745163

EMAIL: SALES@VADO.COM

WWW.VADO.COM/AXCES

AXCES
by VADO