

# SPECIFICATION SHEET

**COLLECTION:** AXBRIDGE

**PRODUCT CODE:** BC-AXB-233-BN



**DESCRIPTION:**

Axbridge  
exposed bath shower mixer  
floor mounted  
with shower kit  
lever handles  
with water flow straightener  
cold ceramic cartridge FL-511-RTC  
hot ceramic cartridge FL-511-LTC  
2 x 1/2" female inlets  
minimum operating pressure 1.0 bar MP

**FINISH:**

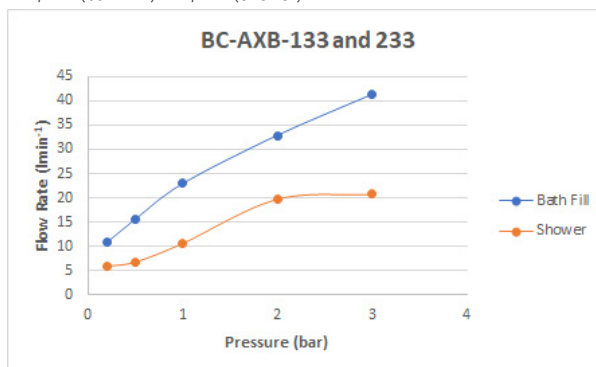
Bright Nickel

**MINIMUM OPERATING PRESSURE:**

1.0 bar MP

**FLOW RATE AT 3.0 BAR FLOW PRESSURE:**

41 l/min (bath fill) 21 l/min (shower)



**BOOTH & Co.**  
ENGLAND

Timeless Design. Pioneering Performance.

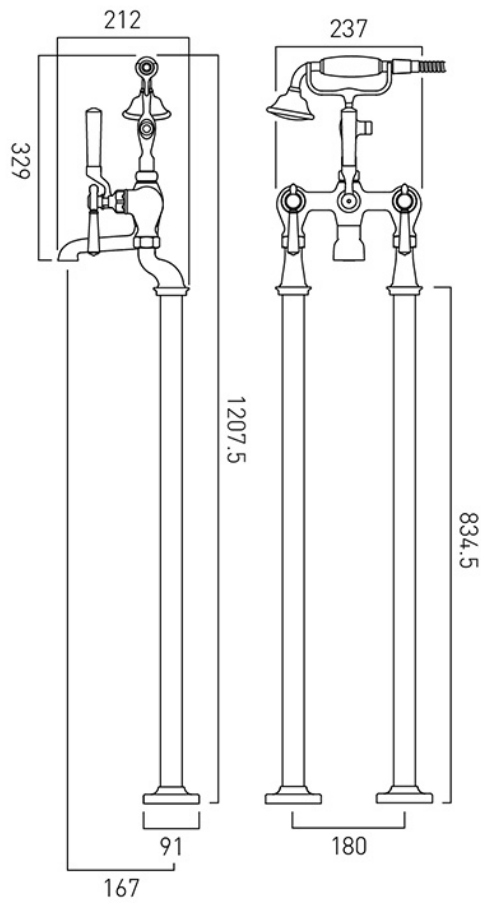
Your journey to distinction awaits.

01934 744466 | sales@vado.com | www.vado.com/booth-and-co

# TECHNICAL DRAWING

**COLLECTION:** AXBRIDGE

**PRODUCT CODE:** BC-AXB-233-BN



**BOOTH & Co.**  
ENGLAND

Timeless Design. Pioneering Performance.

Your journey to distinction awaits.

01934 744466 | sales@vado.com | www.vado.com/booth-and-co