

# SPECIFICATION SHEET

**COLLECTION:** ORIGINS

**PRODUCT CODE:** IND-ORI145A-BLK



**DESCRIPTION:**

concealed shower valve  
single lever  
wall mounted  
ceramic cartridge CAR-K35A  
2 x 1/2" inlets  
1 x 1/2" outlet  
min-max wall mount 45-70mm  
optimum installation depth 58mm  
minimum operating pressure 0.2 bar LP shower / 1.5 bar MP bath

**FINISH:**

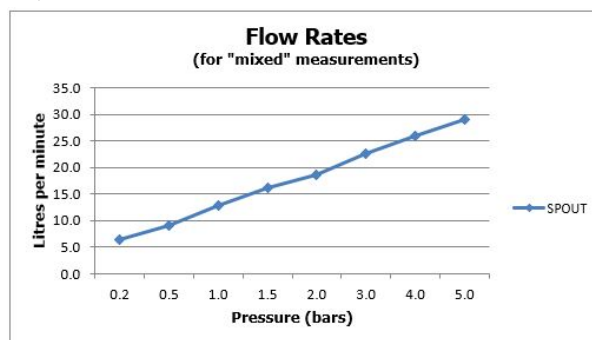
Brushed Black

**MINIMUM OPERATING PRESSURE:**

0.2 bar LP (shower) 1.5 bar MP (bath)

**FLOW RATE AT 3.0 BAR FLOW PRESSURE:**

23 l/min



tel: 01934 744466  
email: sales@vado.com  
www.vado.com

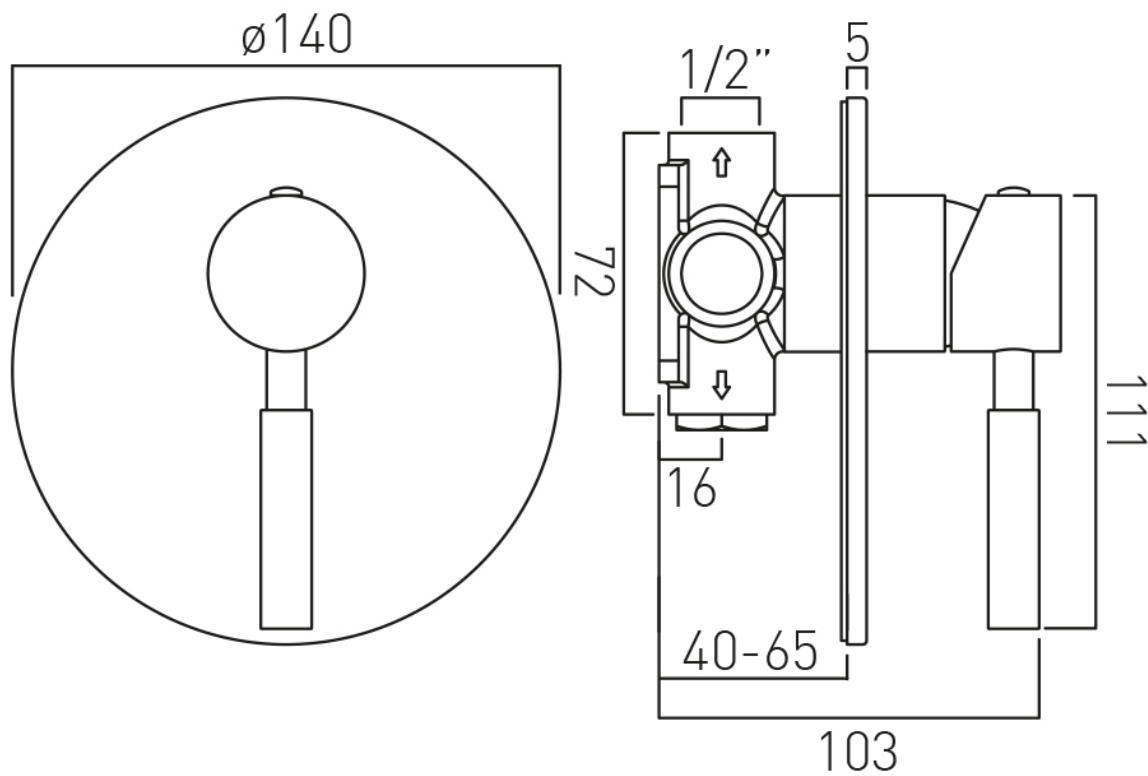
**where inspiration flows**  
taps | showering | accessories



# TECHNICAL DRAWING

**COLLECTION:** ORIGINS

**PRODUCT CODE:** IND-ORI145A-BLK



tel: 01934 744466  
email: sales@vado.com  
www.vado.com

**where inspiration flows**  
taps | showering | accessories

