

# SPECIFICATION SHEET

**COLLECTION:** SPA

**PRODUCT CODE:** IND-SPA1801-30-BG



**DESCRIPTION:**

spa grab or towel rail 300mm (12")

**FINISH:**

Bright Gold



tel: 01934 744466  
email: [sales@vado.com](mailto:sales@vado.com)  
[www.vado.com](http://www.vado.com)

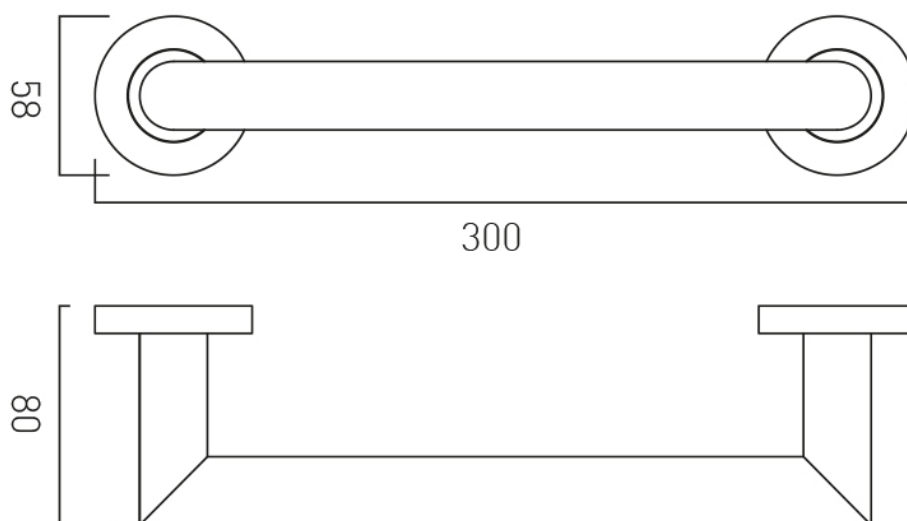
**where inspiration flows**  
taps | showering | accessories



# TECHNICAL DRAWING

**COLLECTION:** SPA

**PRODUCT CODE:** IND-SPA1801-30-BG



tel: 01934 744466  
email: [sales@vado.com](mailto:sales@vado.com)  
[www.vado.com](http://www.vado.com)

**where inspiration flows**  
taps | showering | accessories

