

SPECIFICATION SHEET

COLLECTION: ELEMENTS

PRODUCT CODE: IND-ELW100/SB-BRN



DESCRIPTION:

mono basin mixer
deck mounted
spout can swivel or be fixed
smooth bodied
without universal basin waste
with water flow straightener
with water flow aerator
cold ceramic cartridge C-206-RTC
hot ceramic cartridge C-206-LTC
2 x 1/2" nut x 400mm flexipipe connections
2 x 15mm x 250mm rigid tail connections
deck mount drill hole diameter 32mm
minimum operating pressure 0.2 bar LP

FINISH:

Brushed Nickel

FLOW REGULATOR:

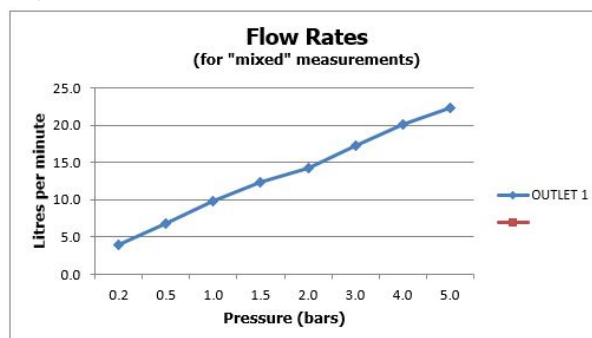
FR-100/5-PLA

MINIMUM OPERATING PRESSURE:

0.2 bar LP

FLOW RATE AT 3.0 BAR FLOW PRESSURE:

17 l/min



tel: 01934 744466
email: sales@vado.com
www.vado.com

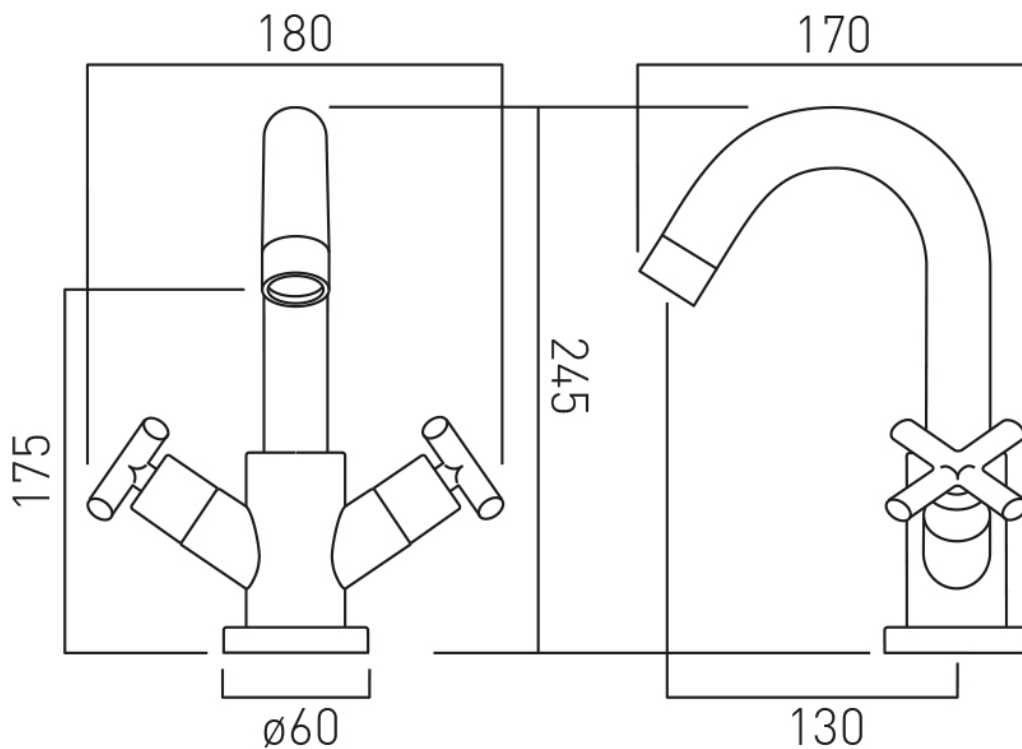
where inspiration flows
taps | showering | accessories



TECHNICAL DRAWING

COLLECTION: ELEMENTS

PRODUCT CODE: IND-ELW100/SB-BRN



tel: 01934 744466
email: sales@vado.com
www.vado.com

where inspiration flows
taps | showering | accessories

