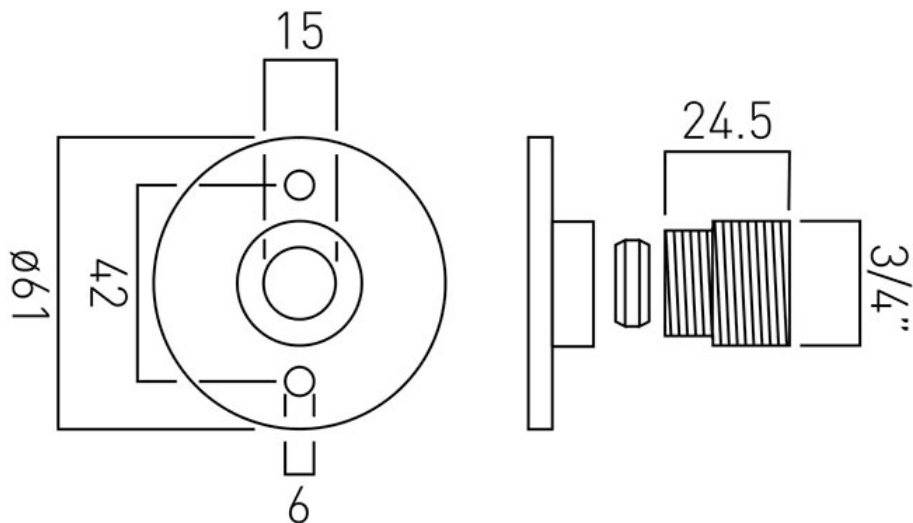


TECHNICAL DRAWING

COLLECTION:

PRODUCT CODE: WG-049BRACK+SHR-C/P



tel: 01934 744466
email: sales@vado.com
www.vado.com

where inspiration flows
taps | showering | accessories

