

SPECIFICATION SHEET

COLLECTION: ALTITUDE

PRODUCT CODE: TAB-1710/ALT-AS-CP



DESCRIPTION:

Tablet Altitude Vertical

- 1 outlet thermostatic shower valve
- Atmosphere slide rail shower kit with air-injection single function handset
- Life wall outlet

FINISH:

Chrome

FLOW REGULATOR:

FR-SHOWER/9-C/P

MINIMUM OPERATING PRESSURE:

0.2 bar LP



thermostatic cartridge V-001C-PLA

flow cartridge FL-301-RTC

minimum operating pressure 0.2 bar LP

kit comprises:

TAB-148-ALT-C/P

ATM-SFSRK/2-C/P

LIF-OUTLET-C/P

2 x 3/4" female inlets

1 x 3/4" female outlets

includes 3/4" - 1/2" adaptors

inc. bleed valve for system flush on installation

min-max wall mount 70-95mm

optimum installation depth 82mm

tel: 01934 744466

email: sales@vado.com

www.vado.com

where inspiration flows

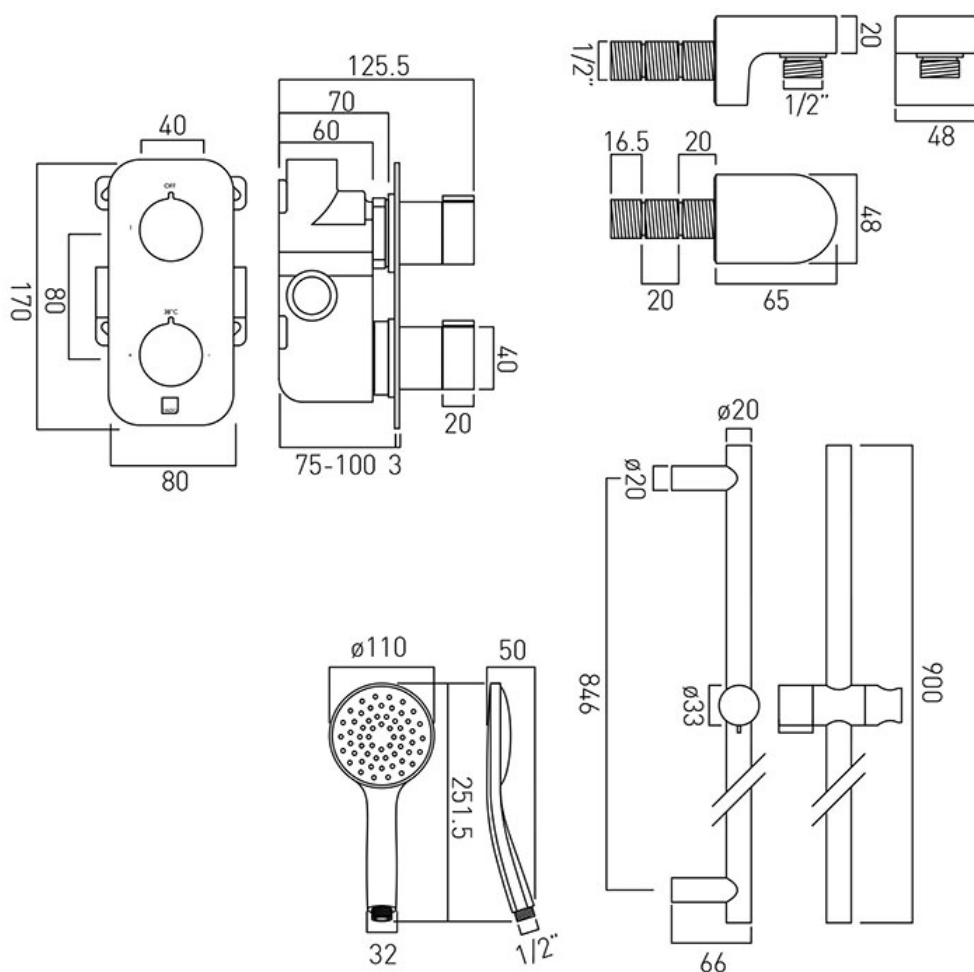
taps | showering | accessories



TECHNICAL DRAWING

COLLECTION: ALTITUDE

PRODUCT CODE: TAB-1710/ALT-AS-CP



tel: 01934 744466
email: sales@vado.com
www.vado.com

where inspiration flows
taps | showering | accessories

