

SPECIFICATION SHEET

COLLECTION:

PRODUCT CODE: PRIMABOX4/B-MF-C/P



DESCRIPTION:

Prima

- exposed round thermostatic 1/2" shower valve
- Eris 3 function slide rail shower kit
- easy-fit wall mounting brackets

thermostatic cartridge V-001A-PLA

flow cartridge C-203-RTC

minimum operating pressure 0.2 bar LP

kit comprises:

ERI-MFSRK-DB-C/P

DGS-149-1/2-C/P

WG-049BRACK+SHR-C/P

FINISH:

Chrome

FLOW REGULATOR:

FR-SHOWER/9-C/P

MINIMUM OPERATING PRESSURE:

0.2 bar LP



tel: 01934 744466

email: sales@vado.com

www.vado.com

where inspiration flows

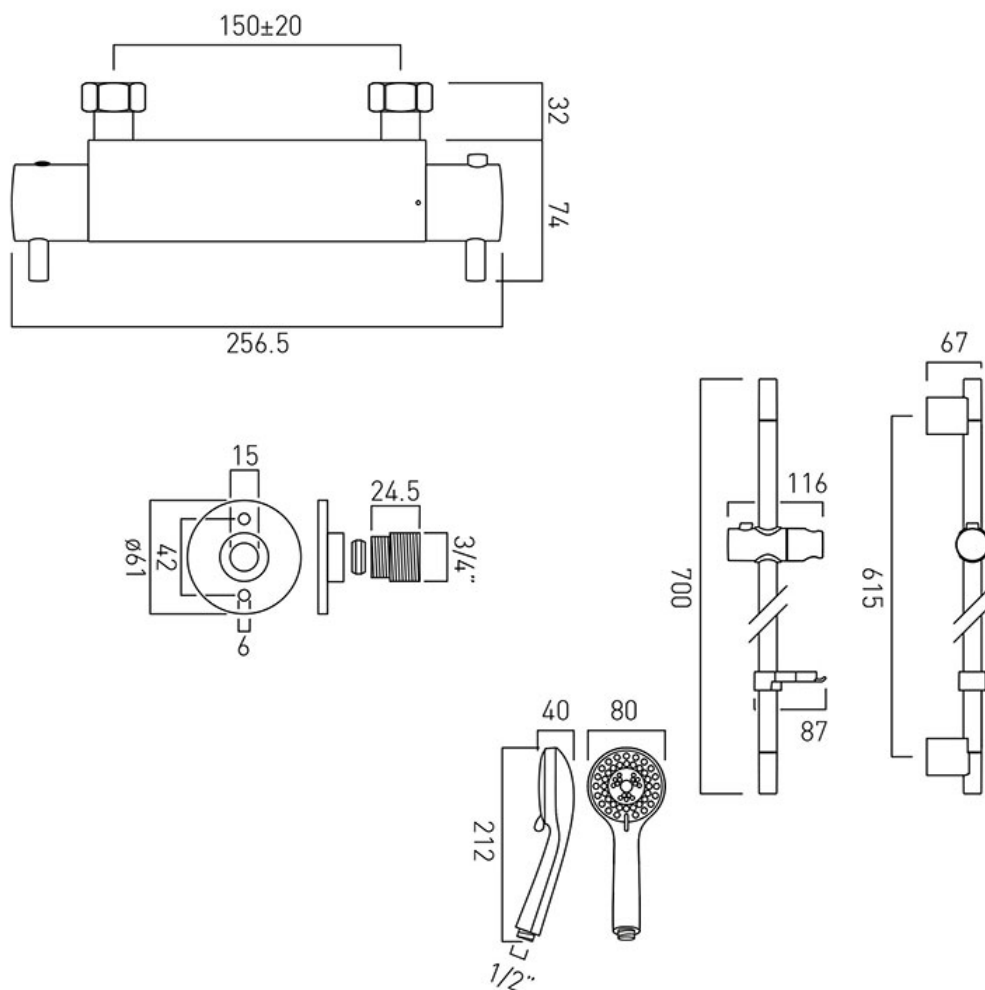
taps | showering | accessories

VADO

TECHNICAL DRAWING

COLLECTION:

PRODUCT CODE: PRIMABOX4/B-MF-C/P



tel: 01934 744466
email: sales@vado.com
www.vado.com

where inspiration flows
taps | showering | accessories

