
SPECIFICATION SHEET

COLLECTION: LIFE

PRODUCT CODE: DX-172250-LIF-CP



tel: 01934 744466
email: sales@vado.com
www.vado.com

where inspiration flows
taps | showering | accessories



DESCRIPTION:

Life

- 2 outlet thermostatic shower valve
- Aquablade 200mm x 300mm oval head with shower arm
- Atmosphere slide rail shower kit with air-injection single function handset
- Life wall outlet

thermostatic cartridge V-001C-PLA
diverter cartridge FL-804-33X/3X
minimum operating pressure 1.0 bar MP

kit comprises:

LIF-148D/2-C/P
ATM-SFSRK/2-C/P
AQB-OV/30/SA-C/P
LIF-OUTLET-C/P

2 x 3/4" female inlets
2 x 3/4" female outlets
includes 3/4" - 1/2" adaptors
inc. bleed valve for system flush on installation
min-max wall mount 70-95mm
optimum installation depth 82mm

FINISH:

Chrome

FLOW REGULATOR:

FR-SHOWER/9-C/P

MINIMUM OPERATING PRESSURE:

1.0 bar MP



tel: 01934 744466
email: sales@vado.com
www.vado.com

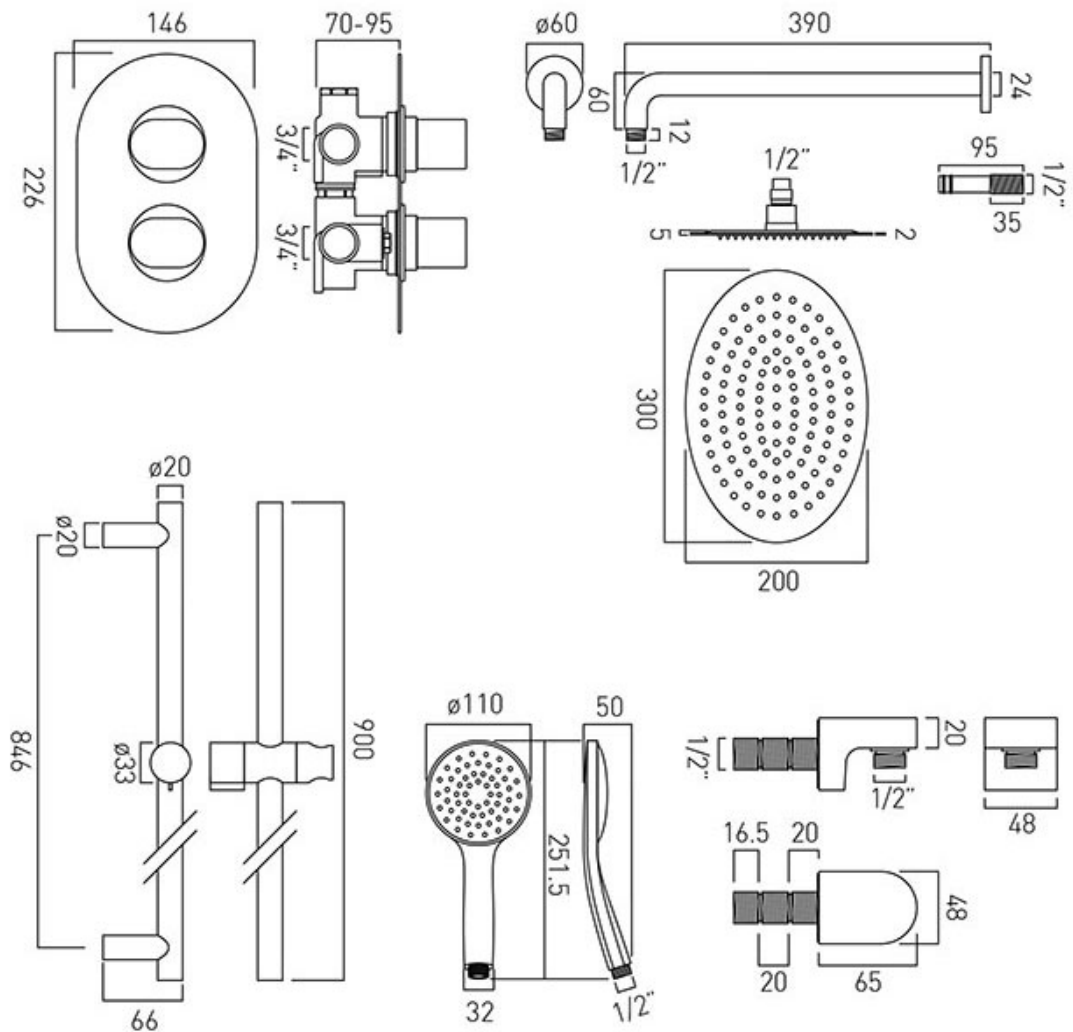
where inspiration flows
taps | showering | accessories



TECHNICAL DRAWING

COLLECTION: LIFE

PRODUCT CODE: DX-172250-LIF-CP



tel: 01934 744466
email: sales@vado.com
www.vado.com

where inspiration flows
taps | showering | accessories

