

# SPECIFICATION SHEET

**COLLECTION:** CHELSEA

**PRODUCT CODE:** CHE-152-C/P



## DESCRIPTION:

mono sink mixer  
single lever  
deck mounted  
with swivel spout  
with pull out hand spray  
with shower spray type head aerator  
ceramic cartridge CAR-K40A  
2 x 1/2" (nut) x 300mm flexipipe connections  
deck mount drill hole diameter 38mm  
minimum operating pressure 1.0 bar MP

## FINISH:

Chrome

## FLOW REGULATOR:

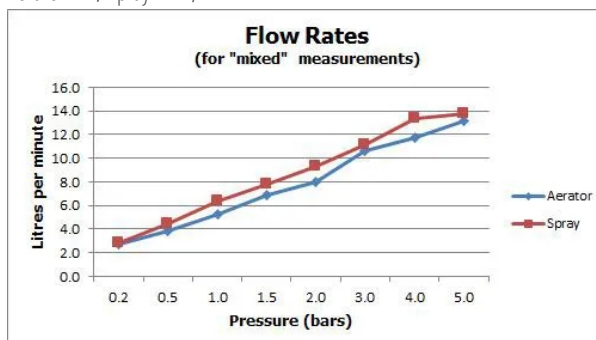
FR-FLEXI/5-PLA

## MINIMUM OPERATING PRESSURE:

1.0 bar MP

## FLOW RATE AT 3.0 BAR FLOW PRESSURE:

Aerator: 11, Spray: 11 l/min



15 year guarantee

tel: 01934 744466  
email: sales@vado.com  
www.vado.com

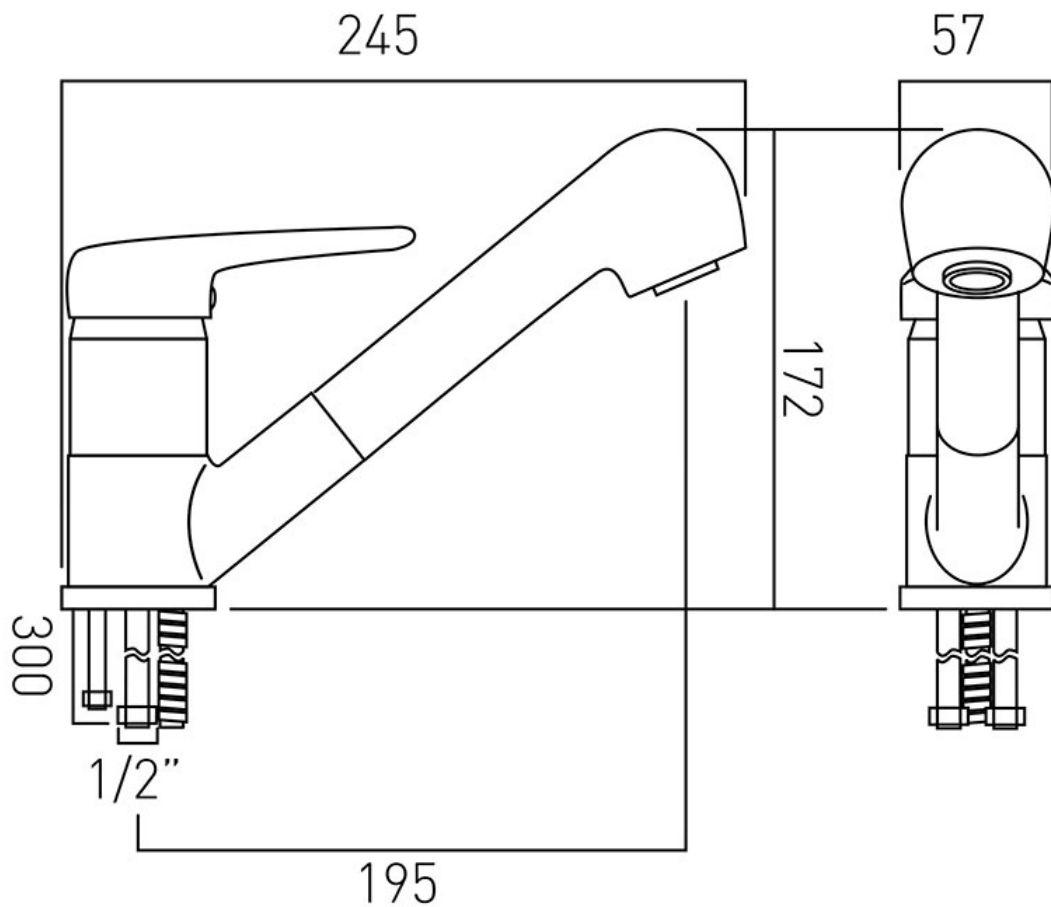
where inspiration flows  
taps | showering | accessories



# TECHNICAL DRAWING

**COLLECTION:** CHELSEA

**PRODUCT CODE:** CHE-152-C/P



tel: 01934 744466  
email: sales@vado.com  
www.vado.com

**where inspiration flows**  
taps | showering | accessories

