

SPECIFICATION SHEET

COLLECTION:

PRODUCT CODE: WG-ELBOW/45-C/P



DESCRIPTION:

elbow
to suit deck mounted
pull-up handsets
deck mounted

FINISH:

Chrome

FLOW REGULATOR:

N



tel: 01934 744466
email: sales@vado.com
www.vado.com

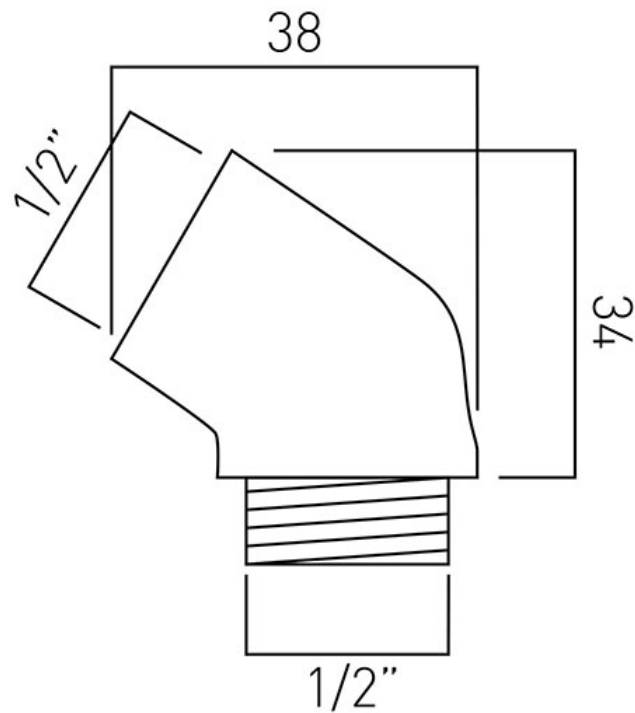
where inspiration flows
taps | showering | accessories



TECHNICAL DRAWING

COLLECTION:

PRODUCT CODE: WG-ELBOW/45-C/P



tel: 01934 744466
email: sales@vado.com
www.vado.com

where inspiration flows
taps | showering | accessories

