

SPECIFICATION SHEET

COLLECTION:

PRODUCT CODE: NEB-MFSRK/RO-DB-C/P



DESCRIPTION:

Nebula
slide rail shower kit
with round 3 function push-control handset
rub-clean
546mm slide rail with twist control
680mm overall rail length
with 150cm shower hose and hose retainer
minimum operating pressure 1.0 bar MP

FINISH:

Chrome

FLOW REGULATOR:

FR-SHOWER/9-C/P

MINIMUM OPERATING PRESSURE:

1.0 bar MP



tel: 01934 744466
email: sales@vado.com
www.vado.com

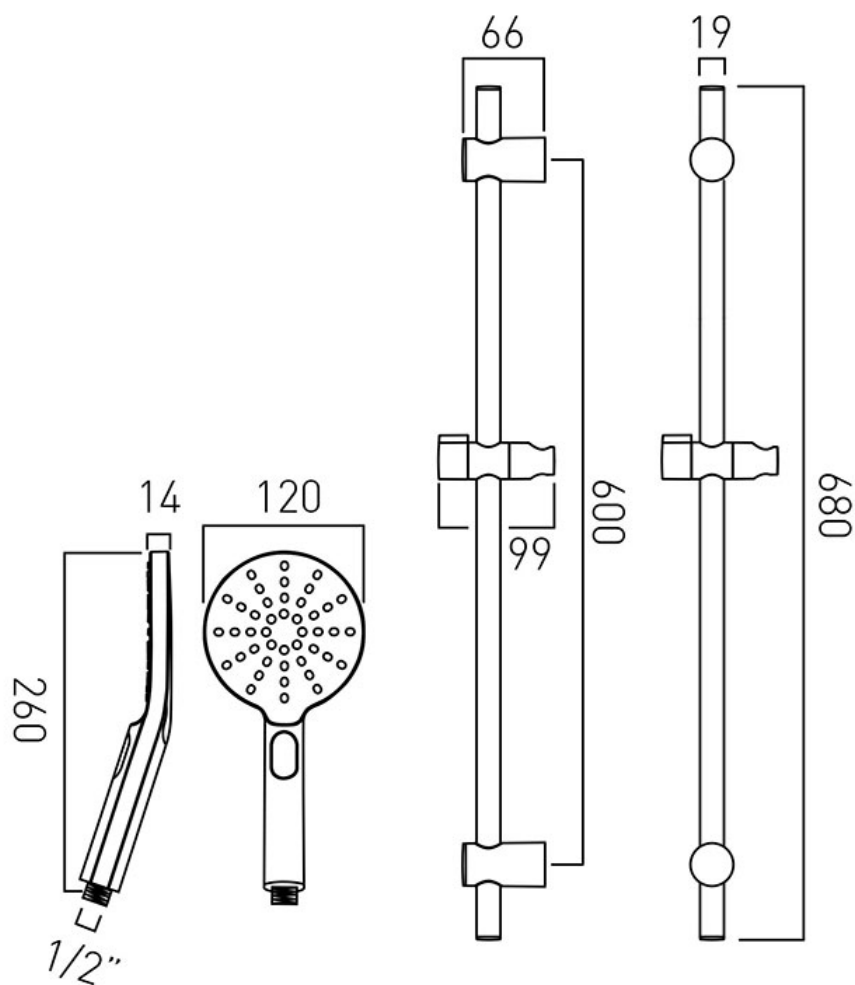
where inspiration flows
taps | showering | accessories



TECHNICAL DRAWING

COLLECTION:

PRODUCT CODE: NEB-MFSRK/RO-DB-C/P



tel: 01934 744466
email: sales@vado.com
www.vado.com

where inspiration flows
taps | showering | accessories

