

SPECIFICATION SHEET

COLLECTION: GEO

PRODUCT CODE: GEO-100/CC-C/P



DESCRIPTION:

mono basin mixer
deck mounted
smooth bodied
with universal basin waste
with water flow aerator
1/2" ceramic disc 1/4 turn valves
cold ceramic cartridge C-501-RTC
hot ceramic cartridge C-501-LTC
2 x 1/2" x 400mm flexipipe connections
deck mount drill hole diameter 35mm
minimum operating pressure 1.0 bar MP

FINISH:

Chrome

FLOW REGULATOR:

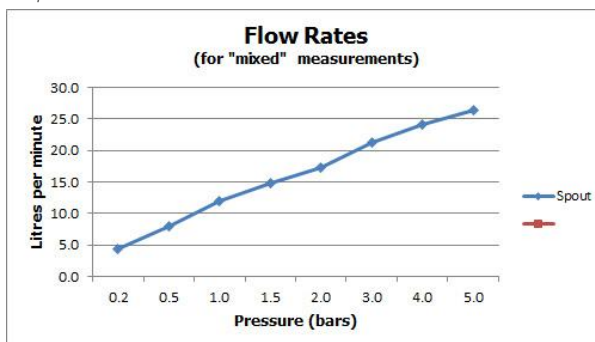
FR-FLEXI/5-PLA

MINIMUM OPERATING PRESSURE:

1.0 bar MP

FLOW RATE AT 3.0 BAR FLOW PRESSURE:

21 l/min



tel: 01934 744466
email: sales@vado.com
www.vado.com

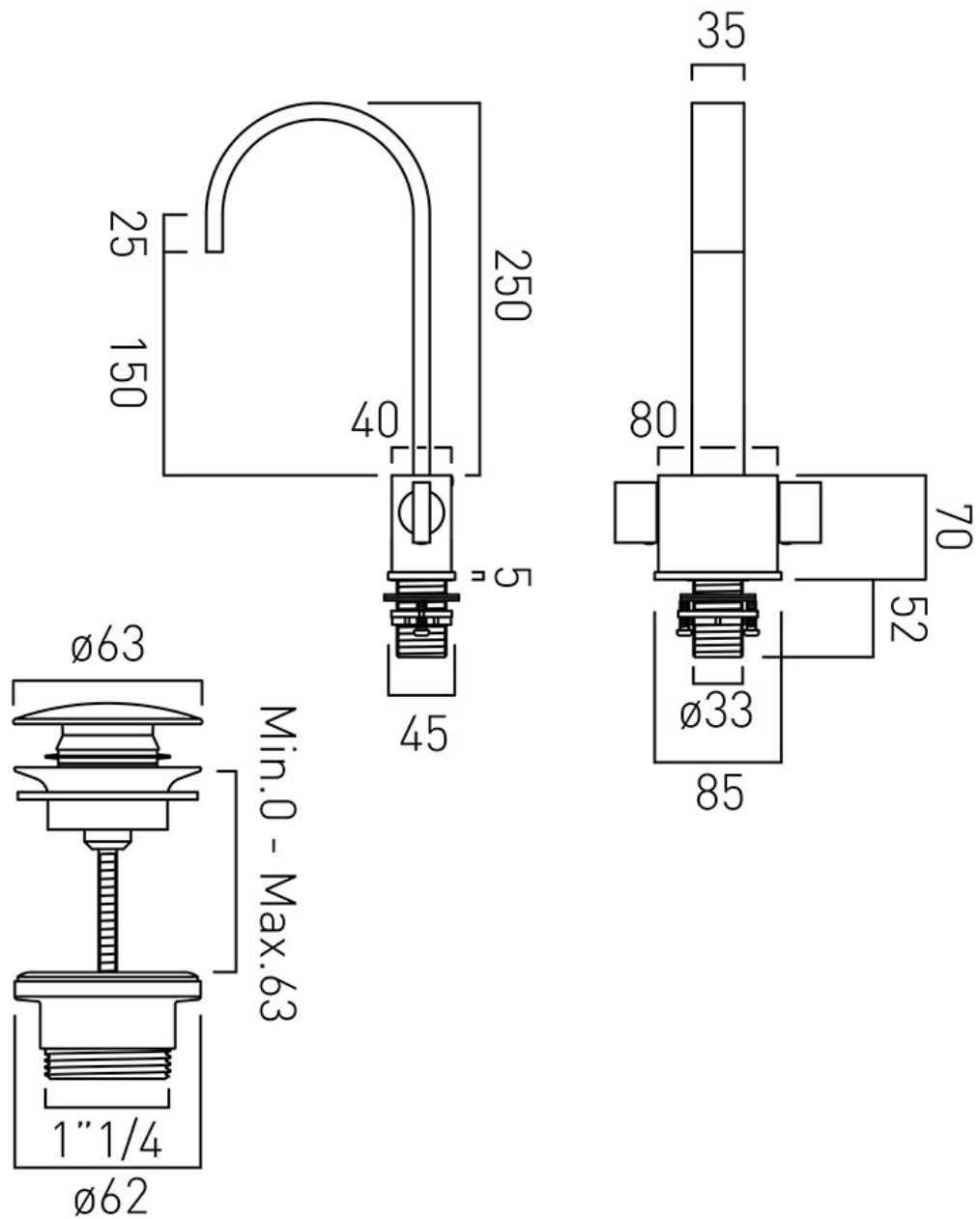
where inspiration flows
taps | showering | accessories



TECHNICAL DRAWING

COLLECTION: GEO

PRODUCT CODE: GEO-100/CC-C/P



tel: 01934 744466
email: sales@vado.com
www.vado.com

where inspiration flows
taps | showering | accessories

