

SPECIFICATION SHEET

COLLECTION:

PRODUCT CODE: ERI-SFSRK-DB-C/P



DESCRIPTION:

Eris
slide rail shower kit
with single function handset
rub-clean
566mm slide rail
700mm overall rail length
with 150cm shower hose and hose retainer
minimum operating pressure 0.2 bar LP

FINISH:

Chrome

FLOW REGULATOR:

FR-SHOWER/9-C/P

MINIMUM OPERATING PRESSURE:

0.2 bar LP



tel: 01934 744466
email: sales@vado.com
www.vado.com

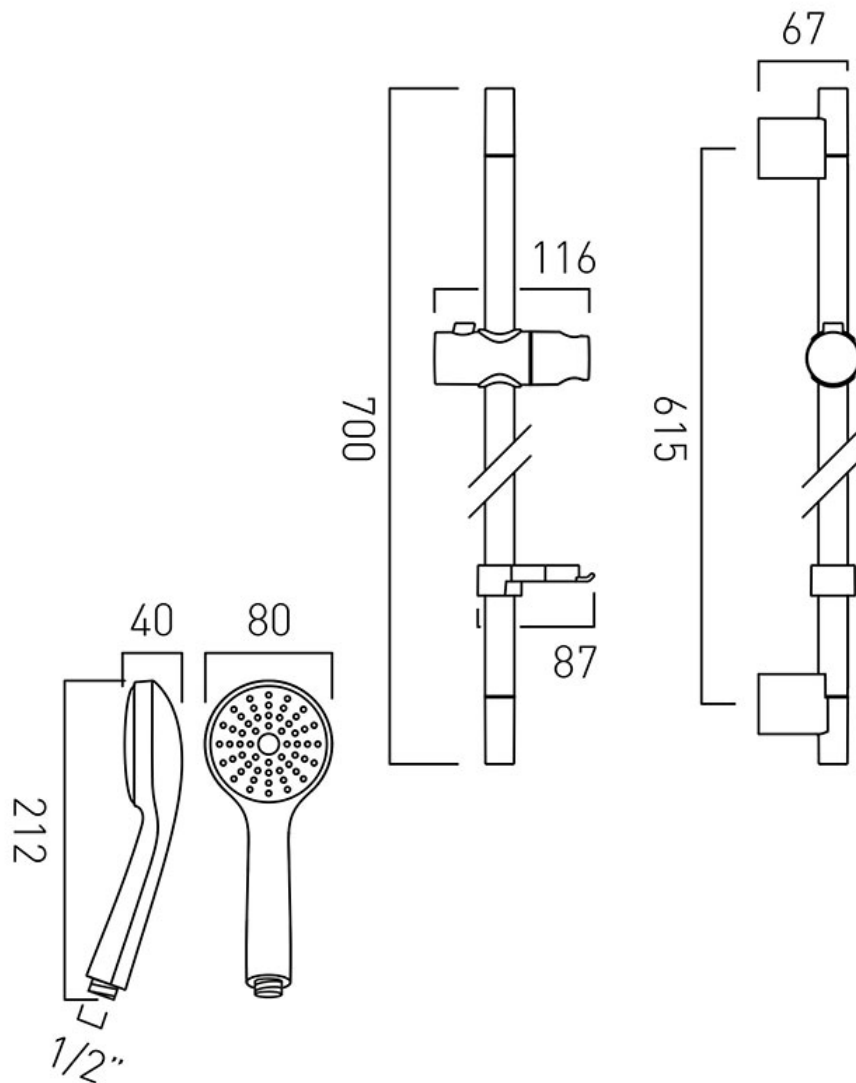
where inspiration flows
taps | showering | accessories



TECHNICAL DRAWING

COLLECTION:

PRODUCT CODE: ERI-SFSRK-DB-C/P



tel: 01934 744466
email: sales@vado.com
www.vado.com

where inspiration flows
taps | showering | accessories

