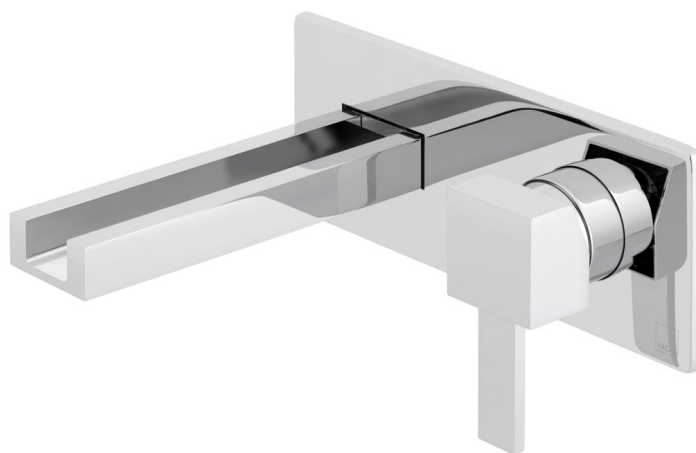


# SPECIFICATION SHEET

**COLLECTION:** Té FALLS

**PRODUCT CODE:** TEF-109S/A-C/P



**DESCRIPTION:**

2 hole basin mixer  
single lever  
wall mounted  
with rectangular backplate  
with water flow aerator  
ceramic cartridge CAR-K35A  
2 x 1/2" female connection inlets  
minimum operating pressure 1.0 bar MP

**FINISH:**

Chrome

**FLOW REGULATOR:**

flow regulator fitted as standard

**MINIMUM OPERATING PRESSURE:**

1.0 bar MP



tel: 01934 744466  
email: [sales@vado.com](mailto:sales@vado.com)  
[www.vado.com](http://www.vado.com)

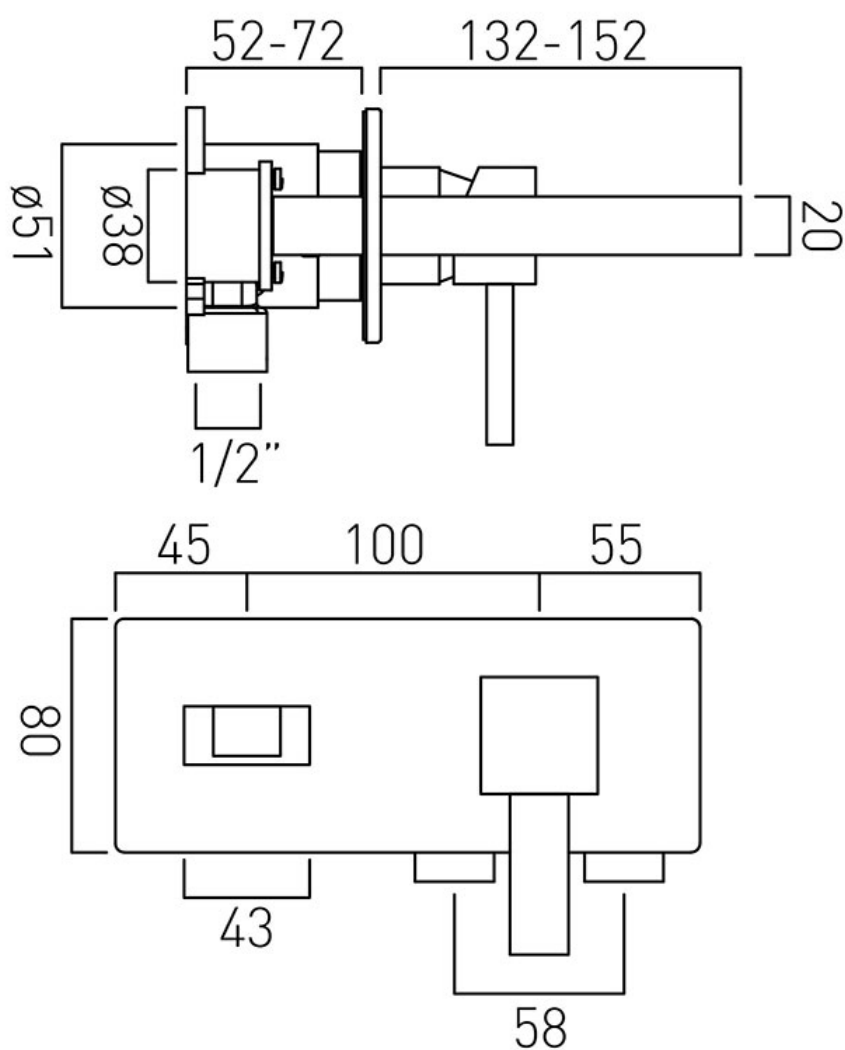
**where inspiration flows**  
taps | showering | accessories



# TECHNICAL DRAWING

**COLLECTION:** Té FALLS

**PRODUCT CODE:** TEF-109S/A-C/P



tel: 01934 744466  
email: sales@vado.com  
www.vado.com

**where inspiration flows**  
taps | showering | accessories

