

# SPECIFICATION SHEET

**COLLECTION:** Té

**PRODUCT CODE:** TE-147A-C/P



**DESCRIPTION:**

Té  
concealed 2 outlet shower valve with diverter  
single lever  
wall mounted  
with rectangular backplate  
ceramic cartridge CAR-K35A  
2 x 1/2" female inlets  
2 x 1/2" female outlets  
min-max wall mount 50-70mm  
minimum operating pressure  
0.2 bar LP (shower) 1.5 bar MP (bath)

**FINISH:**

Chrome

**MINIMUM OPERATING PRESSURE:**

0.2 bar LP (shower) 1.5 bar MP (bath)



tel: 01934 744466  
email: sales@vado.com  
www.vado.com

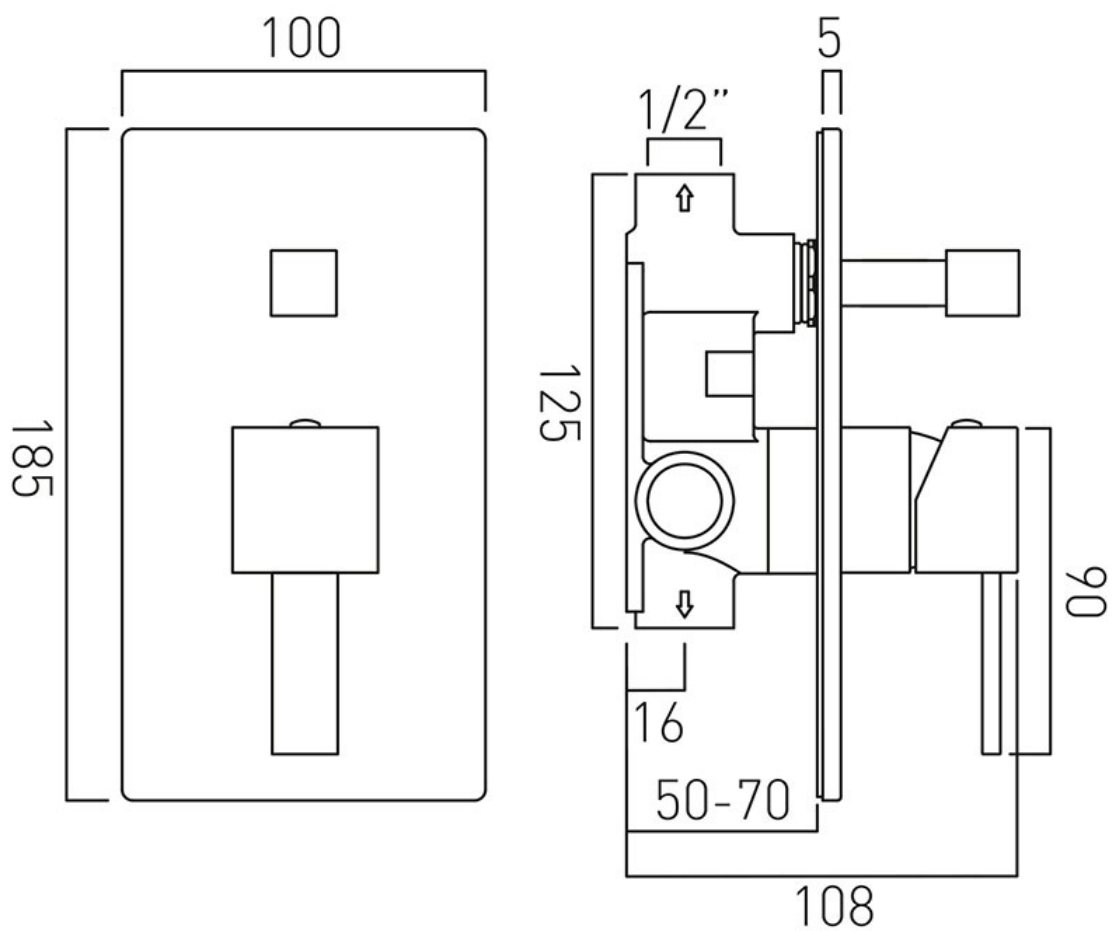
**where inspiration flows**  
taps | showering | accessories



# TECHNICAL DRAWING

COLLECTION: Té

PRODUCT CODE: TE-147A-C/P



tel: 01934 744466  
email: sales@vado.com  
www.vado.com

**where inspiration flows**  
taps | showering | accessories

