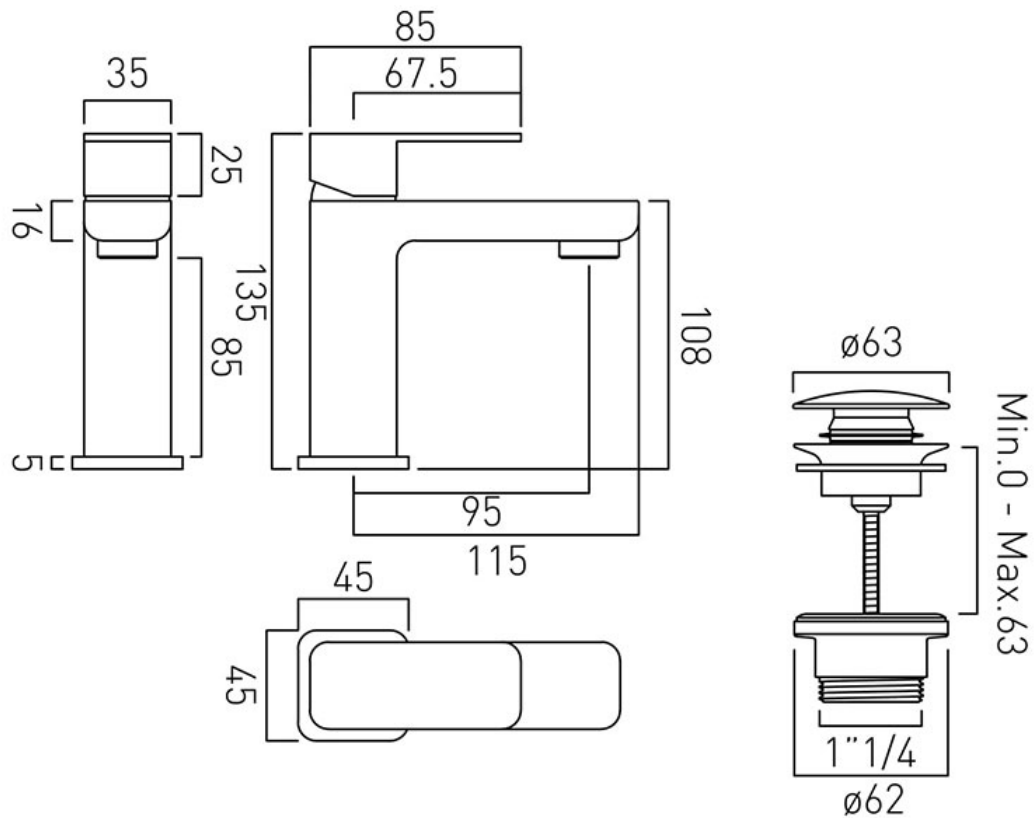


# TECHNICAL DRAWING

**COLLECTION:** PHASE

**PRODUCT CODE:** PHA-200MF/CC-C/P



tel: 01934 744466  
email: sales@vado.com  
www.vado.com

**where inspiration flows**  
taps | showering | accessories

