

SPECIFICATION SHEET

COLLECTION: LIFE

PRODUCT CODE: LIF-SFMKWO-C/P



DESCRIPTION:

Life
single function mini shower kit
wall mounted
with 150cm shower hose
and bracket with integrated outlet
1/2" inlet
min-max wall mount 0-11mm
minimum operating pressure 1.0 bar MP

FINISH:

Chrome

FLOW REGULATOR:

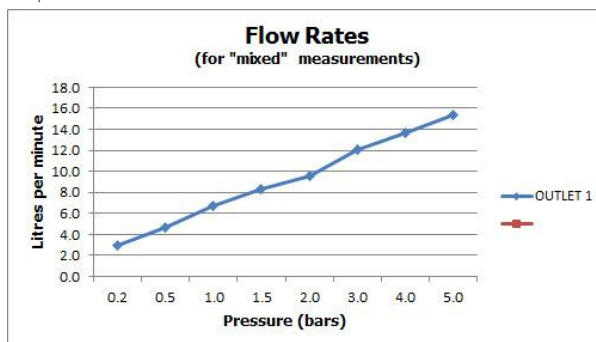
FR-SHOWER/9-C/P

MINIMUM OPERATING PRESSURE:

1.0 bar MP

FLOW RATE AT 3.0 BAR FLOW PRESSURE:

12 l/min



tel: 01934 744466
email: sales@vado.com
www.vado.com

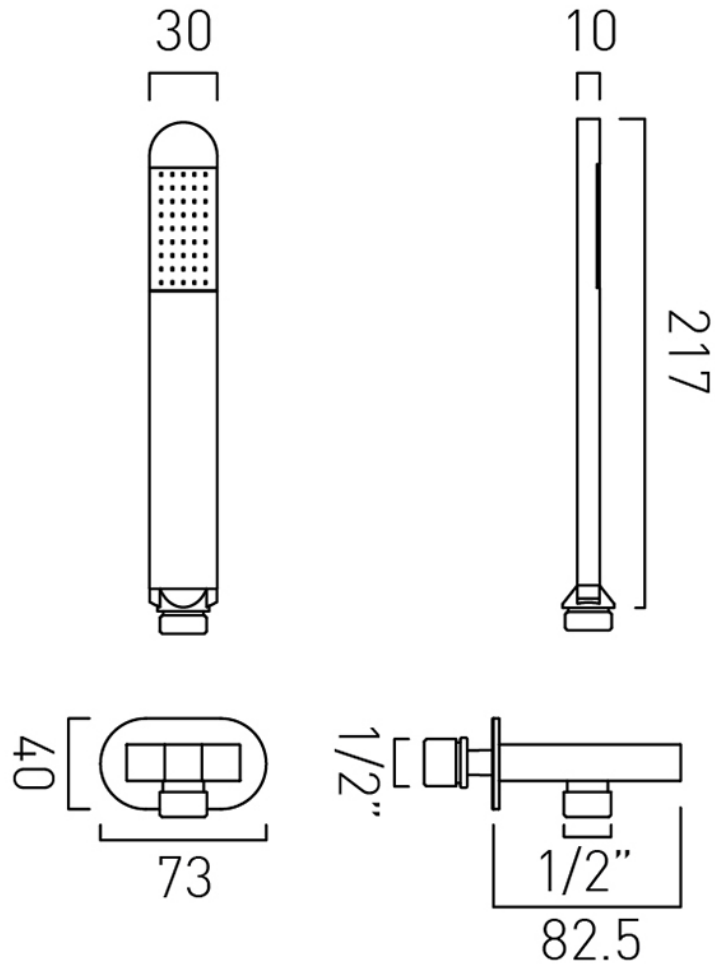
where inspiration flows
taps | showering | accessories



TECHNICAL DRAWING

COLLECTION: LIFE

PRODUCT CODE: LIF-SFMKW0-C/P



tel: 01934 744466
email: sales@vado.com
www.vado.com

where inspiration flows
taps | showering | accessories

