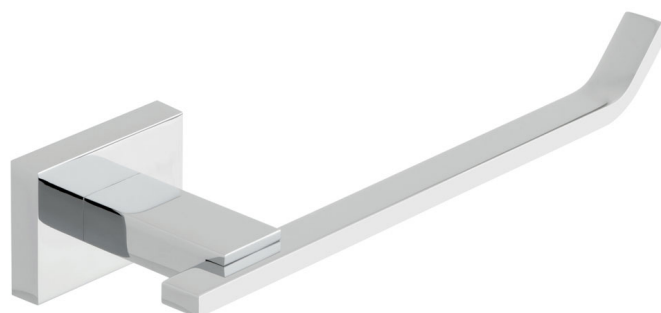


---

# SPECIFICATION SHEET

**COLLECTION:** LEVEL

**PRODUCT CODE:** LEV-180-C/P



**DESCRIPTION:**

paper holder  
wall mounted

**FINISH:**

Chrome



tel: 01934 744466  
email: [sales@vado.com](mailto:sales@vado.com)  
[www.vado.com](http://www.vado.com)

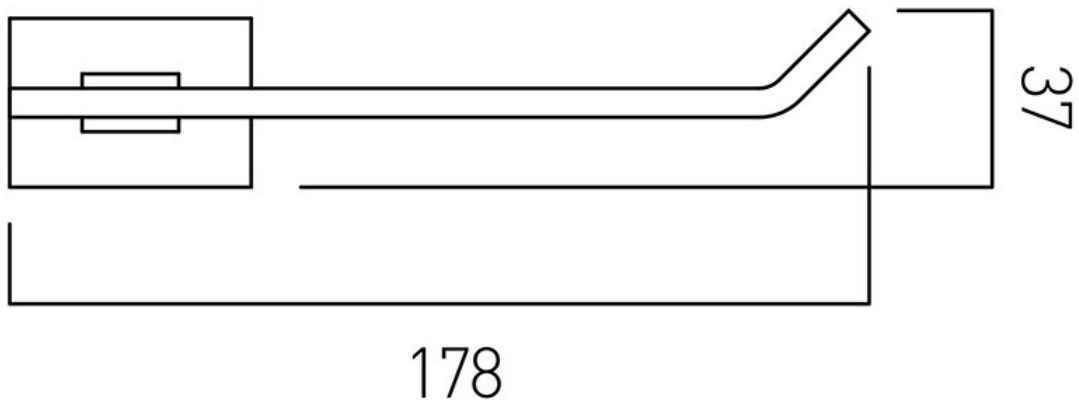
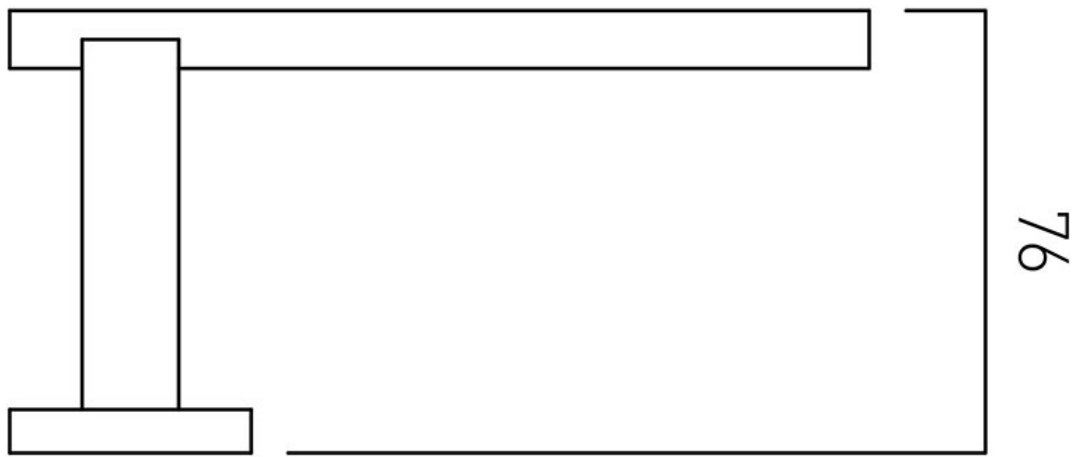
**where inspiration flows**  
taps | showering | accessories



# TECHNICAL DRAWING

**COLLECTION:** LEVEL

**PRODUCT CODE:** LEV-180-C/P



tel: 01934 744466  
email: [sales@vado.com](mailto:sales@vado.com)  
[www.vado.com](http://www.vado.com)

**where inspiration flows**  
taps | showering | accessories

